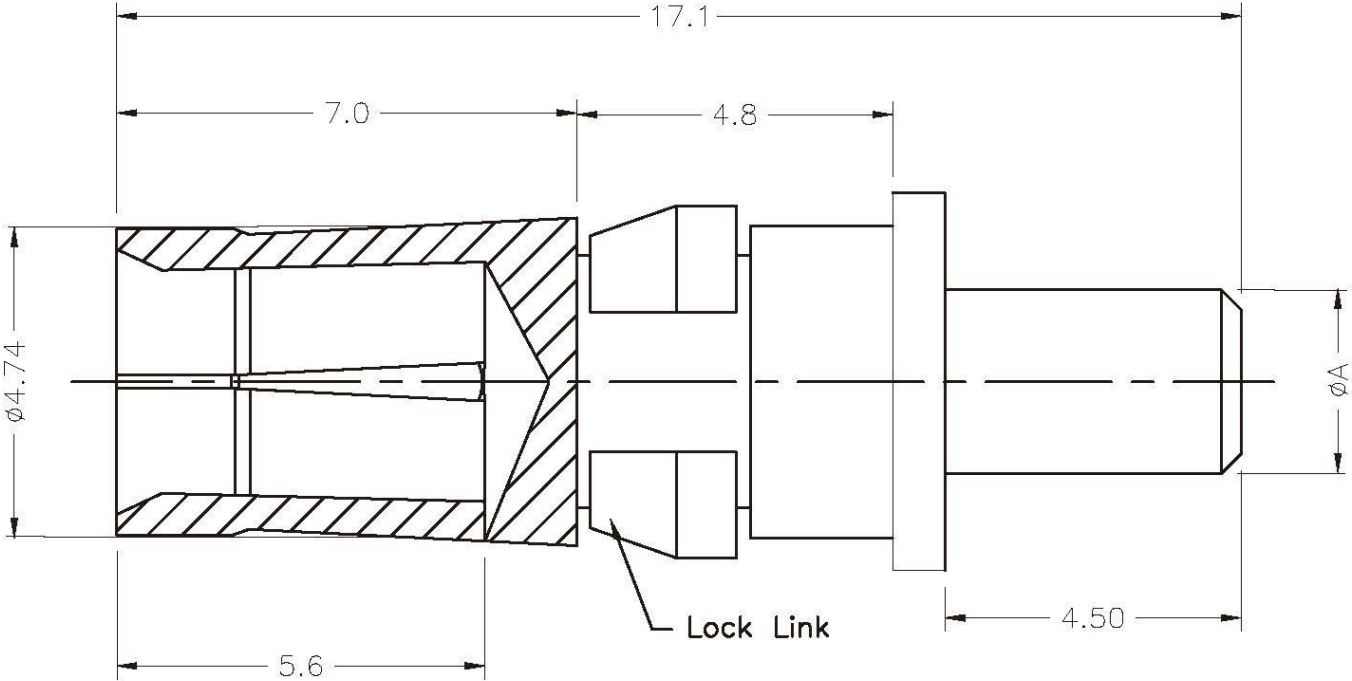


**Material:**

**Contact:** Copper Alloy With Gold Plated.

**Lock Link:** Copper Alloy With Nickel Plated.



Current Rating (AMP)	Dimension $\phi A$
40	3.75
30	3.17
20	2.85
10	1.70

**RoHS Compliant**

TOLERANCES ARE

**All Connectors**

DRAWING BY CY

CHECKED BY GENIUS

UNIT/ mm SCALE 1 : 1

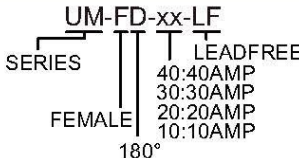
DATE

SIZE A4 PROJECTION

X ±  
.X ±  
.XX ±  
.XXX ±  
ANG ±



**ORDER INFORMATION**



DESCRIPTION: Power Pin Female Straight Type

www.allconnectors.de  
tel: 0049 711 700930  
70734 Filzbergstr. 29 70734  
info@allconnectors.de  
fax: 0049 711 700934  
file: 0011 25