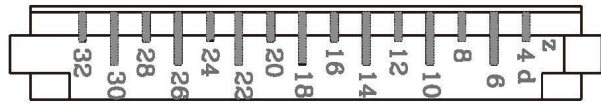
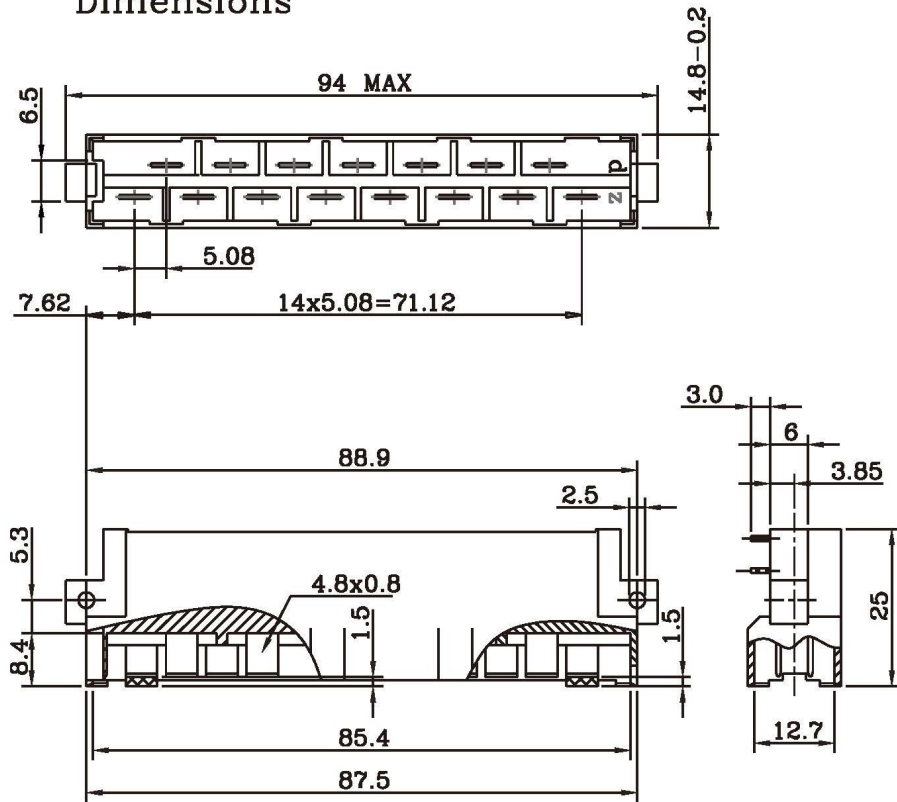


Contact arrangement
View from termination side



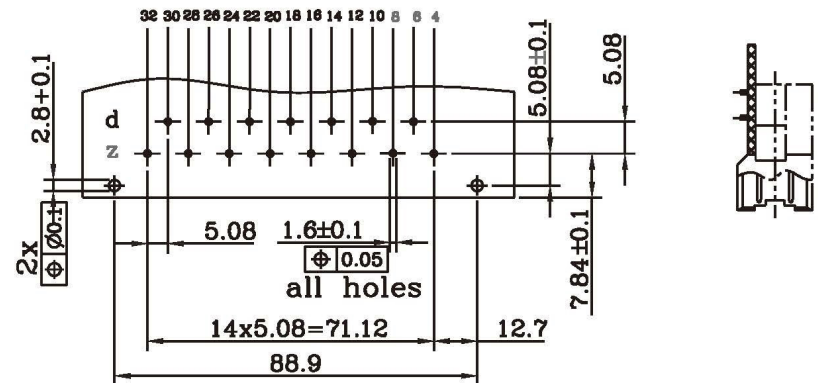
Dimensions



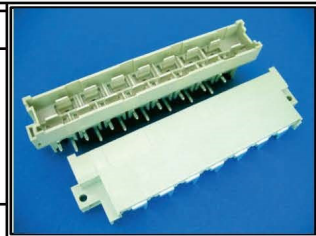
Technical data

Housing	PBT & 30%Class Fiber(UL94-0)
Contact	Male : Brass
Operating temperature	-55°C~+105°C
Contact resistance	8m(ohm)max.at DC 100mA
Insulator resistance	1000M(ohm)min.at DC 500V
Current rating	15 AMP
Withstanding voltage	AC 3100V for 1 minute
Insertion force	90N max
Withdrawal force	0.2N/pin min
Contact Rating	Ag Plating

Recommended P.C.B. layout



<p>www.allconnectors.de Tel.: 0049 711 7009503 70794 Filderstadt - Germany</p>	RoHS Compliant		<p>TOLERANCES ARE</p> <p>X.± .X± .XX± .XXX± ANG±</p>
	DRAWING BY CY		
	CHECKED BY GENIUS		
	UNIT/ mm	SCALE 1 : 1	
	DATE		
SIZE A4	PROJECTION		



ORDER INFORMATION			
UH-PRPM-15-LF			
SERIES	MALE	PREMATING	LEADFREE
		15WAY	
		DIP 90°	
DESCRIPTION: DIN 41612 EUROCARD CONNECTORS RIGHT ANGLE MALE TYPE			