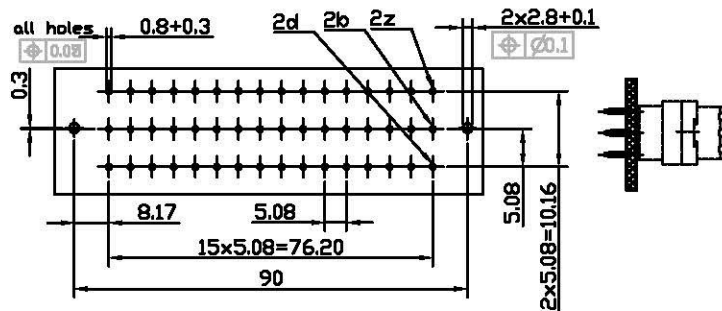
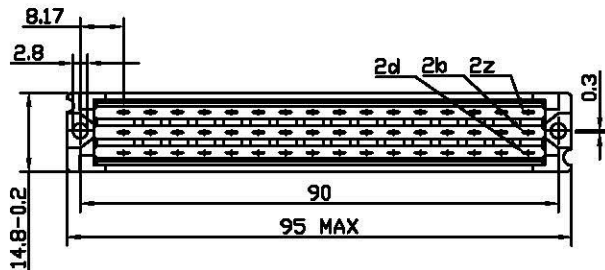
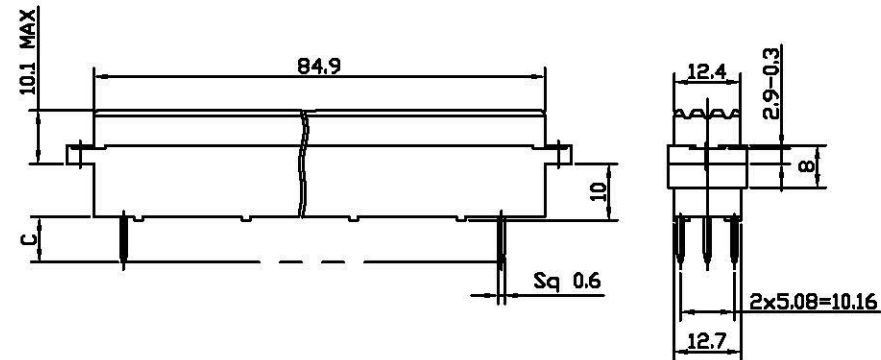
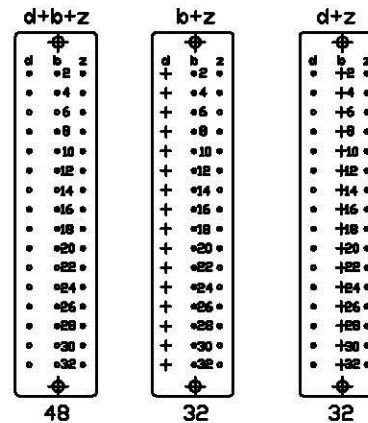


## Technial data



Housing  
 Contact  
 Operating temperature  
 Contact resistance  
 Insulator resistance  
 Current rating  
 Withstanding voltage  
 Insertion force  
 Withdrawal force  
 Contact Rating

PBT & 30%Class Fiber(UL94-0)  
 Female : Phosphor Bronze  
 -55°C~+105°C  
 30m(ohm)max.at DC 100mA  
 1000M(ohm)min.at DC 500V  
 5.6 AMP  
 AC 1000V for 1 minute  
 75N max  
 0.15N/pin min  
 Selective Gold ,Plating



Contact arrangement  
 view from termination side

CODE NO.	11L	13L	11	13
C =	3.2	4.5	3.2	4.5
T =	0.6x0.6	0.6x0.6	0.6x0.6	0.6x0.6
T =	Profile: 10.1mm		Profile: 20.1mm	

RoHS Compliant

All Connectors

www.allconnectors.de  
 Tel.: 0049 711 7009503  
 20794 Filbertstadt Germany

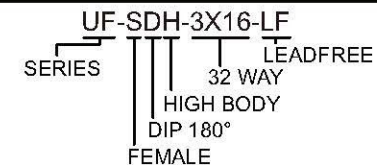
info@allconnectors.de  
 Fax: 0049 711 7009504  
 Vertriebsteil: 25

DRAWING BY CY  
 CHECKED BY GENIUS  
 UNIT / mm SCALE 1 : 1  
 DATE  
 SIZE A4 PPROJECTION

TOLERANCES ARE  
 X ±  
 .X ±  
 .XX ±  
 .XXX ±  
 ANG ±



ORDER INFORMATION



DESCRIPTION: DIN 41612 EUROCARD CONNECTORS