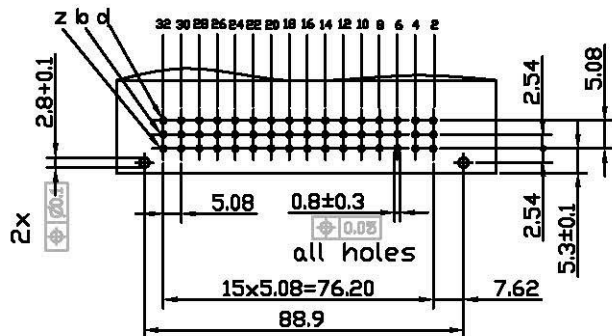
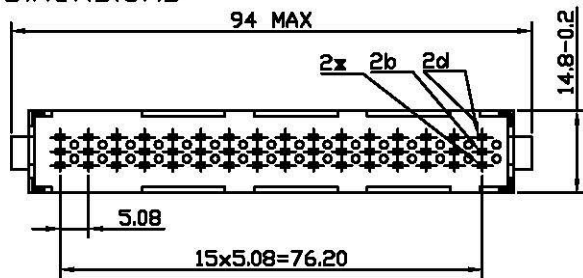


Dimensions



Recommended P.C.B. layout

Technical data

Housing	PBT & 30%Class Fiber(UL94-0)
Contact	Male : Phosphor Bronze
Operating temperature	-55°C~+105°C
Contact resistance	30m(ohm)max.at DC 100mA
Insulator resistance	1000M(ohm)min.at DC 500V
Current rating	5.6 AMP
Withstanding voltage	AC 1000V for 1 minute
Insertion force	75N max
Withdrawal force	0.15N/pin min
Contact Rating	Selective gold, Plating

Ordering Information

NO. OF CONTACTS	48	32	32	47+1	31+1	46+2
POSITION	d+b+z	b+z	d+z	d+b+z z32 pre-mating	b+z z32 pre-mating	d+b+z b2+b32 pre-mating

RoHS Compliant



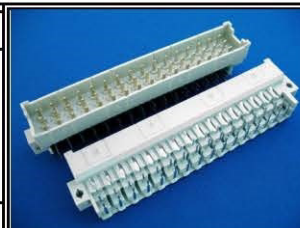
www.allconnectors.de
Tel.: 0049 711 7009503
70794 Filberstadt - Germany

info@allconnectors.de
Fax: 0049 711 7009504
Kettenmerstr. 25

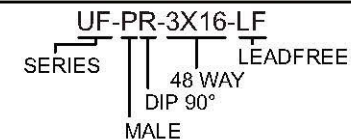
DRAWING BY CY	
CHECKED BY GENIUS	
UNIT / mm	SCALE 1 : 1
DATE	
SIZE A4	PJECTION

TOLERANCES ARE

X ±
.X ±
.XX ±
.XXX ±
ANG ±



ORDER INFORMATION



DESCRIPTION: Right Angle Male Type F48 Connectors