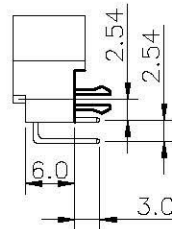
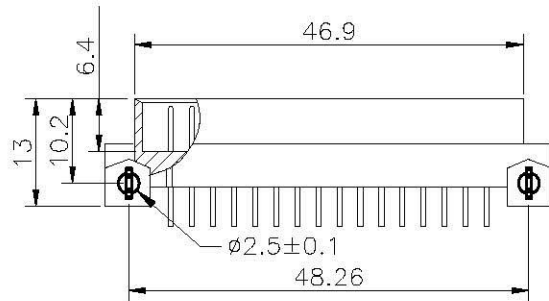
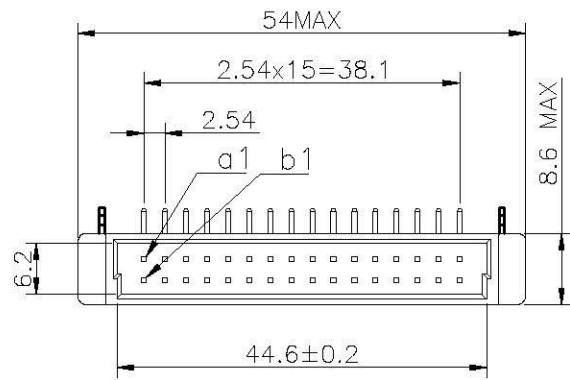
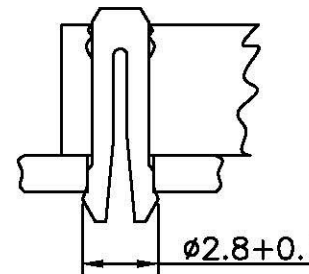
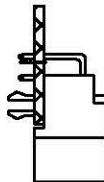
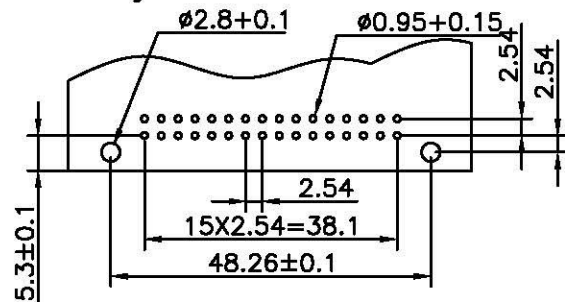


# DIN 41612 EUROCARD CONNECTORS

## Right Angle Male Type Half B Connectors



### Recommended P.C.B. layout



### Technical data

EURO DIN 41612

Housing

Contact

Plating:

Operating temperature

Contact resistance

Insulator resistance

Current rating

Withstanding voltage

Insertion force

Withdrawal force

Contact Rating:

Signal

PBT & 30%Class Fiber(UL94V-0)

Male : Brass

2U" Au plated on contact area,

Tin-plated on tail

-55°C~+105°C

20m(ohm)max.

1000M(ohm)min.

2 AMP

AC 1000V for 1 minute

96pin max.90N 30pin max.28N

64pin max.60N 20pin max.18N

48pin max.45N 32pin max.30N

0.15 N min.per individual contact

Class 3

**All Connectors**

www.allconnectors.de

Tel.: 0049 711 7009508

70791 Filoerstadt - Germany

info@allconnectors.de

Fax: 0049 711 7009504

Kettenmeisterstr. 25

**RoHS Compliant**

DRAWING BY CY

CHECKED BY GENIUS

UNIT / mm

SCALE 1 : 1

DATE

SIZE A4

PJECTION

TOLERANCES ARE

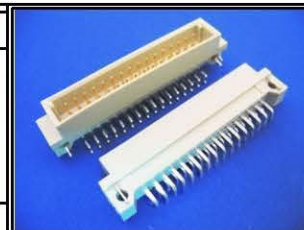
X ±

.X ±

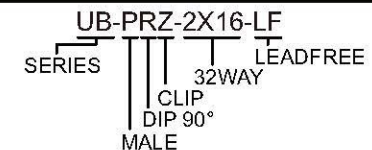
.XX ±

.XXX ±

ANG ±



ORDER INFORMATION



DESCRIPTION: