

Connector

DIN 41612 Series

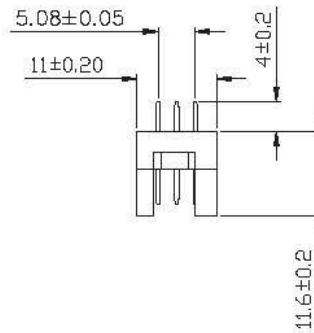
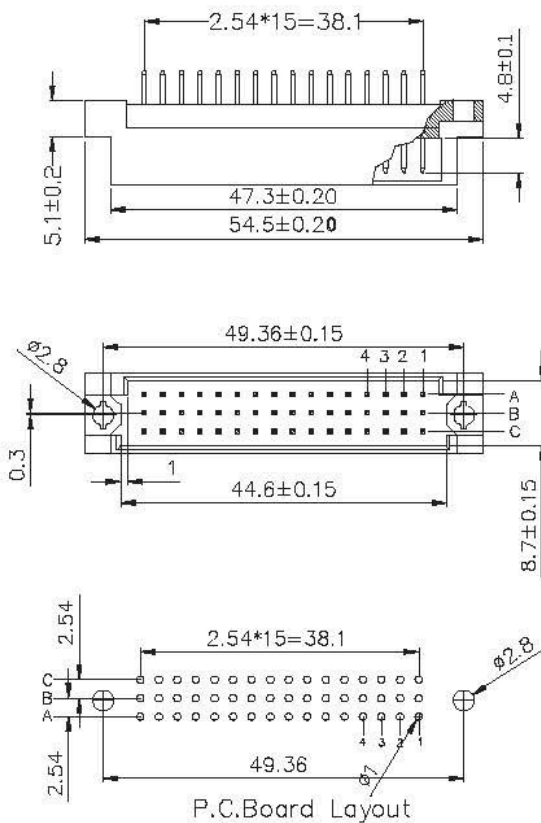
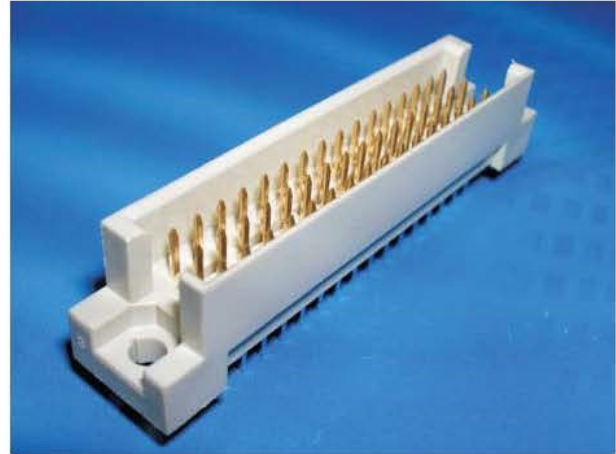
KLS1-D3X 3x16Pin 3 row Short R Type

Electrical:

Contact Resistance: 30 mΩ Max. Insulator
Insulation Resistance: 1000 MΩ Min. At 500 VDC
Withstand Voltage: 1000 VAC for 1 minute
Current Rating: 2 AMP
Voltage Rating: 250 VAC
Operating Temperature: -55 °C ~ +105 °C

Material:

Insulator: Glass-filled thermoplastic PBT UL94V-0
Contacts: Male-Brass / Female-Phosphor Bronze
Plating: full gold or selected gold in mating area.



Pitch	Position	Rows with Contacts	Contact Arrange	Part Number
2.54mm	48	a b c		3348
	32	a - c		3232
5.08mm	24	a b c		3324
	16	a - c		3216

ORDER INFORMATION

Product No.: KLS1-D3X-3348-MS

Pos. No. _____
3x16Pin 3 row Short Type _____
Part Number: 3348 / 3232 / 3324 / 3216 _____

Tail Style: S -4.0mm Straight pin
W-1-13mm Straight pin
R -Right pin
Contact Type: M=Male Plug
F=Female Receptacle