

**Connector**

**DIN 41612 Series**

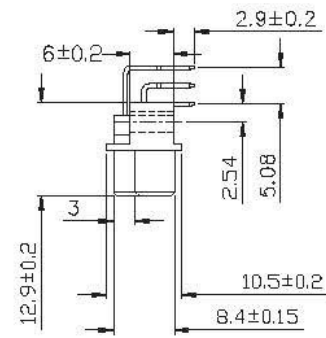
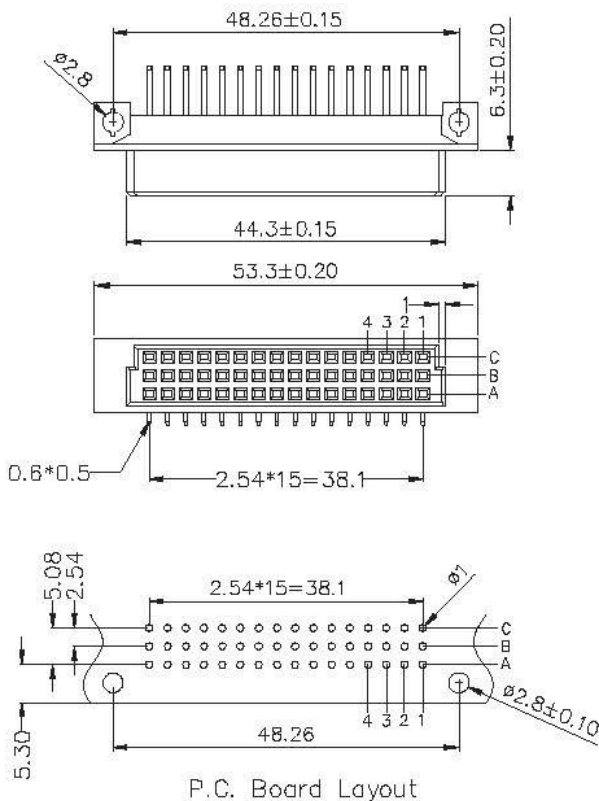
**KLS1-D3X 3x16Pin 3 row Short R Type**

**Electrical:**

Contact Resistance: 30 mΩ Max. Insulator  
Insulation Resistance: 1000 MΩ Min. At 500 VDC  
Withstand Voltage: 1000 VAC for 1 minute  
Current Rating: 2 AMP  
Voltage Rating: 250 VAC  
Operating Temperature: -55 °C ~ +105 °C

**Material:**

Insulator: Glass-filled thermoplastic PBT UL94V-0  
Contacts: Male-Brass / Female-Phosphor Bronze  
Plating: full gold or selected gold in mating area.



Pitch	Position	Rows with Contacts	Contact Arrange	Part Number
2.54mm	48	a b c		3348
	32	a - c		3232
5.08mm	24	a b c		3324
	16	a - c		3216

**ORDER INFORMATION**

**Product No.: KLS1-D3X-3348-F R**

Pos. No. \_\_\_\_\_  
 3x16Pin 3 row Short Type \_\_\_\_\_  
 Part Number: 3348 / 3232 / 3324 / 3216 \_\_\_\_\_

Tail Style: S -4.0mm Straight pin  
 W1-13mm Straight pin  
 R -Right pin

Contact Type: M=Male Plug  
 F=Female Receptacle