

Connector

DIN 41612 Series

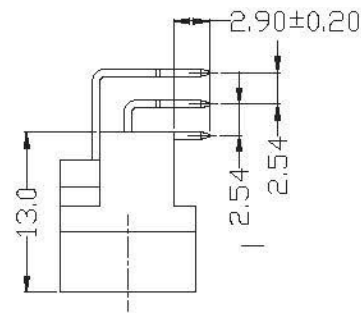
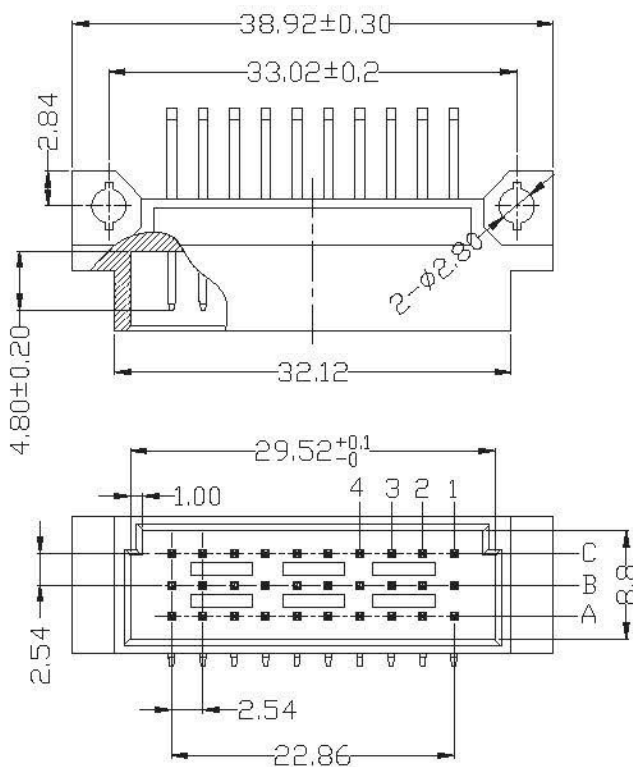
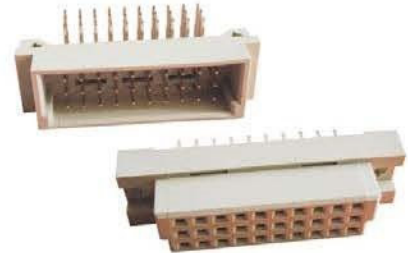
KLS1-D3Q 3x10Pin 3 row Short C Type

Electrical:

Contact Resistance: 30 mΩ Max. Insulator
Insulation Resistance: 1000 MΩ Min. At 500 VDC
Withstand Voltage: 1000 VAC for 1 minute
Current Rating: 2 AMP
Voltage Rating: 250 VAC
Operating Temperature: -55 ° C ~ +105 ° C

Material:

Insulator: Glass-filled thermoplastic PBT UL94V-0
Contacts: Male-Brass / Female-Phosphor Bronze
Plating: full gold or selected gold in mating area.



Pitch	Position	Rows with Contacts	Contact Arrange	Part Number
2.54mm	30	a b c		3330
	20	a - c		3220
	20	a b -		3220A
	10	a - -		3110
5.08mm	15	a b c		3315
	10	a - c		3210
	10	a b -		3210A
	5	a - -		3105

ORDER INFORMATION

Product No.: KLS1-D3Q-3330-MR

Pos. No. _____
3x10Pin 3 row Short Type
Part Number: 3330 / 3315 / 3220 /
3210 / 3110 / 3105

Tail Style: S -4.0mm Straight pin
W1-13mm Straight pin
R -Right pin
Contact Type: M=Male Plug
F=Female Receptacle