

Connector

DIN 41612 Series

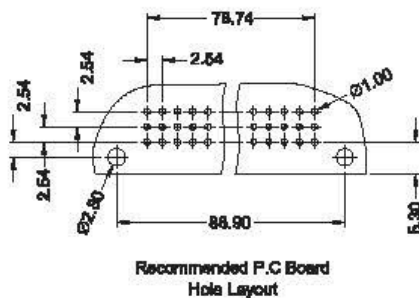
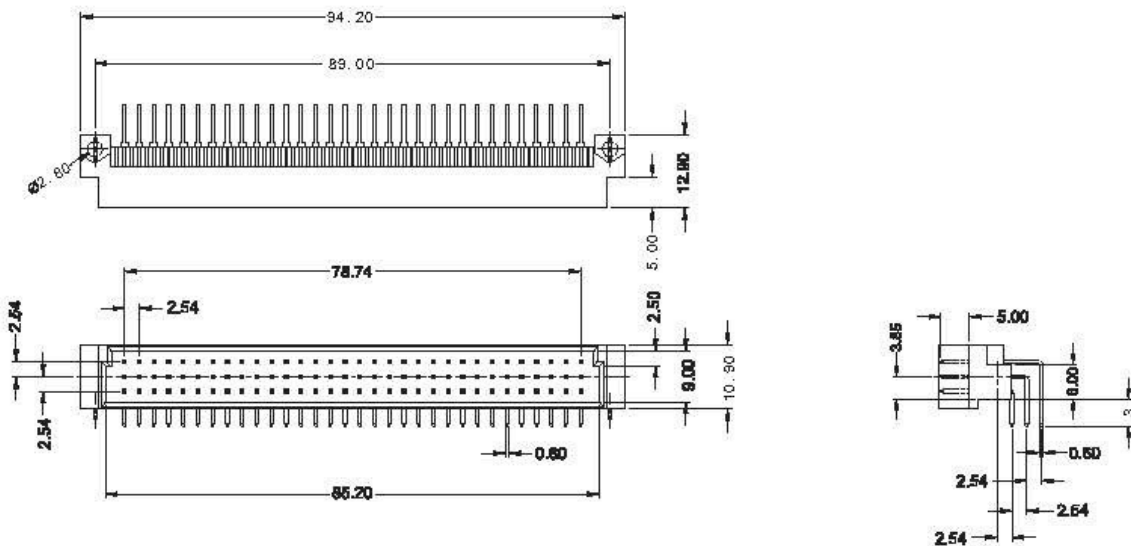
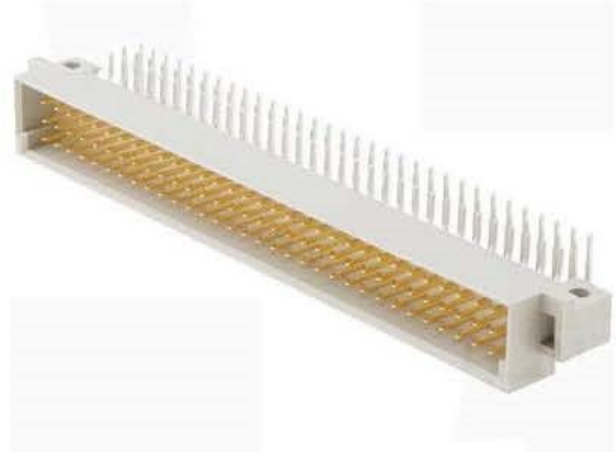
KLS1-D3 3X32Pin 3 row Long C Type

Electrical:

Contact Resistance: 30 mΩ Max. Insulator
Insulation Resistance: 1000 MΩ Min. At 500 VDC
Withstand Voltage: 1000 VAC for 1 minute
Current Rating: 2 AMP
Voltage Rating: 250 VAC
Operating Temperature: -55 ° C ~ +105 ° C

Material:

Insulator: Glass-filled thermoplastic PBT UL94V-0
Contacts: Male-Brass / Female-Phosphor Bronze
Plating: full gold or selected gold in mating area.



Pitch	Position	Rows with Contacts	Contact Arrange	Part Number
2.54mm	96	a b c		3396
	64	a - c		3264
5.08mm	48	a b c		3348
	32	a - c		3232

ORDER INFORMATION

Product No.: **KLS1-D3-3396-MR**

Pos. No. _____ Tail Style: S - 4.0mm Straight pin
W1 - 13mm Straight pin
R - Right pin
3X32Pin 3 row Long Type _____ Contact Type: M=Male Plug
F=Female Receptacle
Part Number: 3396 / 3264 / 3348 / 3232