

# Connector

## DIN 41612 Series

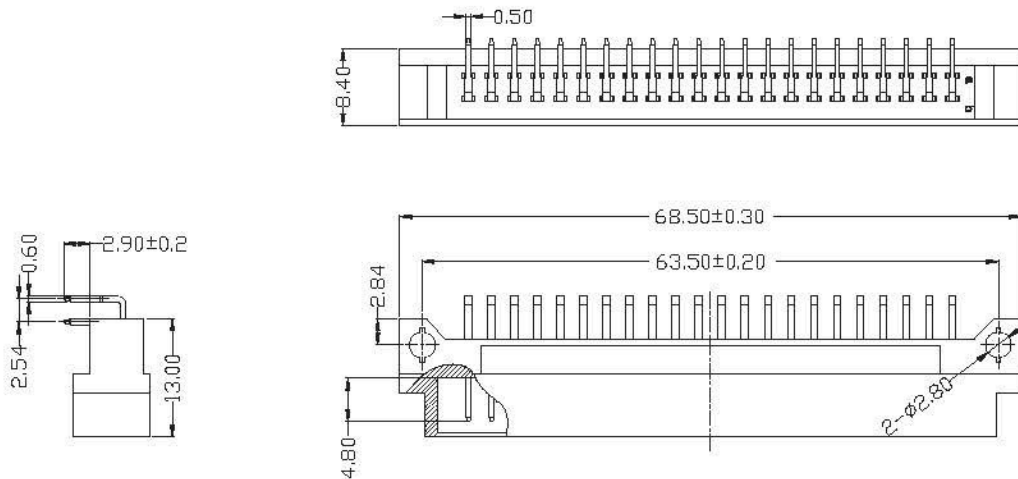
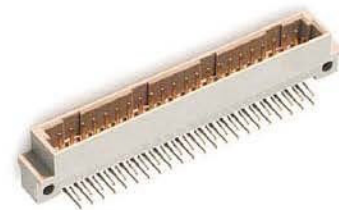
### KLS1-D2Y 2x22Pin Two row Short B Type

**Electrical:**

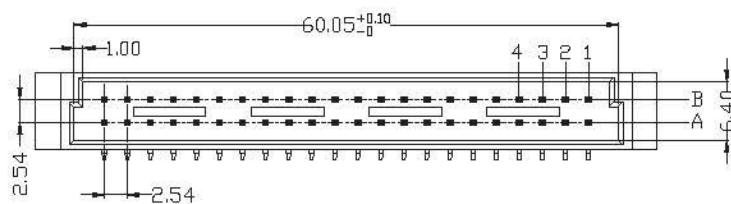
Contact Resistance: 30 mΩ Max. Insulator  
Insulation Resistance: 1000 MΩ Min. at 500 VDC  
Withstand Voltage: 1000 VAC for 1 minute  
Current Rating: 2 AMP  
Voltage Rating: 250 VAC  
Operating Temperature: -55°C~+105°C

**Material:**

Insulator: Glass-filled thermoplastic PBT UL94V-0  
Contacts: Male-Brass / Female-Phosphor Bronze  
Plating: full gold or selected gold in mating area.



Pitch	Position	Rows with Contacts	Contact Arrange	Part Number
2.54mm	44	a b		2244
	22	a -		2122
5.08mm	22	a b		2222
	11	a -		2111



## ORDER INFORMATION

Product No.: **KLS1-D2Y-2244-MR**

Pos. No. \_\_\_\_\_ Tail Style: S-4.0mm Straight pin  
 Din41612 2x22Pin Two row Short Type \_\_\_\_\_ W1-13mm Straight pin  
 PartNumber: 2244 / 2122 / 2222 / 2111 \_\_\_\_\_ R-Right pin  
 Contact Type: M=Male F=Female