

Connector

DIN 41612 Series

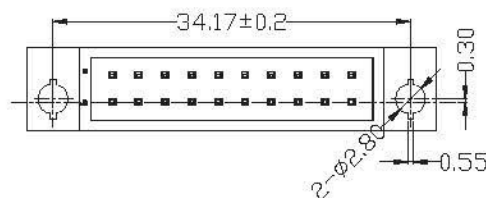
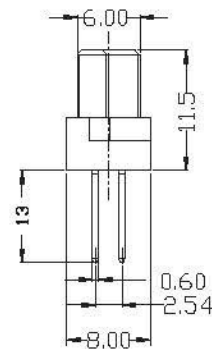
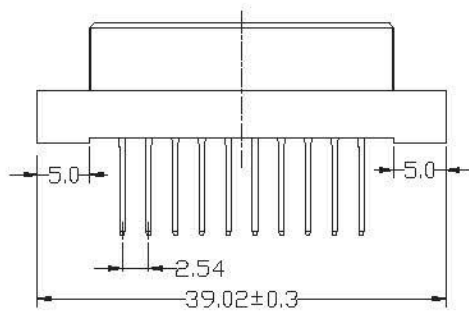
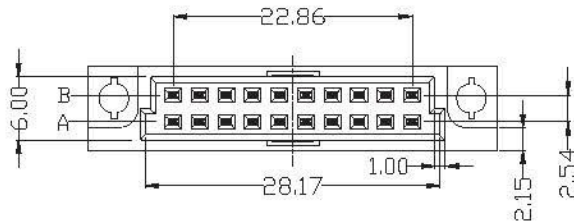
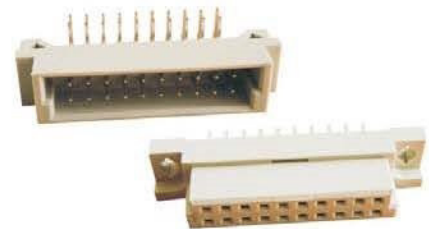
KLS1-D2Q 2x10Pin Two row Short B Type

Electrical:

Contact Resistance: 30 mΩ Max. Insulator
Insulation Resistance: 1000 MΩ Min. at 500 VDC
Withstand Voltage: 1000 VAC for 1 minute
Current Rating: 2 AMP
Voltage Rating: 250 VAC
Operating Temperature: -55°C~+105°C

Material:

Insulator: Glass-filled thermoplastic PBT UL94V-0
Contacts: Male-Brass / Female-Phosphor Bronze
Plating: full gold or selected gold in mating area.



Pitch	Position	Rows with Contacts	Contact Arrange	Part Number
2.54mm	20	a b		2220
	10	a -		2110
5.08mm	10	a b		2210
	05	a -		2105

ORDER INFORMATION

Product No.: KLS1-D2Q-2220-F W1

Pos. No. _____ Tail Style: S-4.0mm Straight pin
Din41612 2x10Pin Two row Short Type _____ W1-13mm Straight pin
PartNumber: 2220 / 2110 / 2210 / 2105 _____ R-Right pin
Contact Type: M=Male F=Female