

Connector

DIN 41612 Series

KLS1-D2 2x32Pin Two row Long B Type

Electrical:

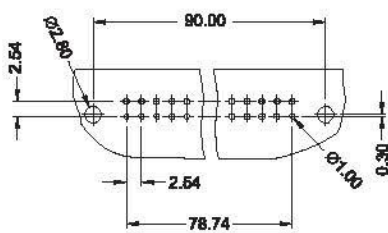
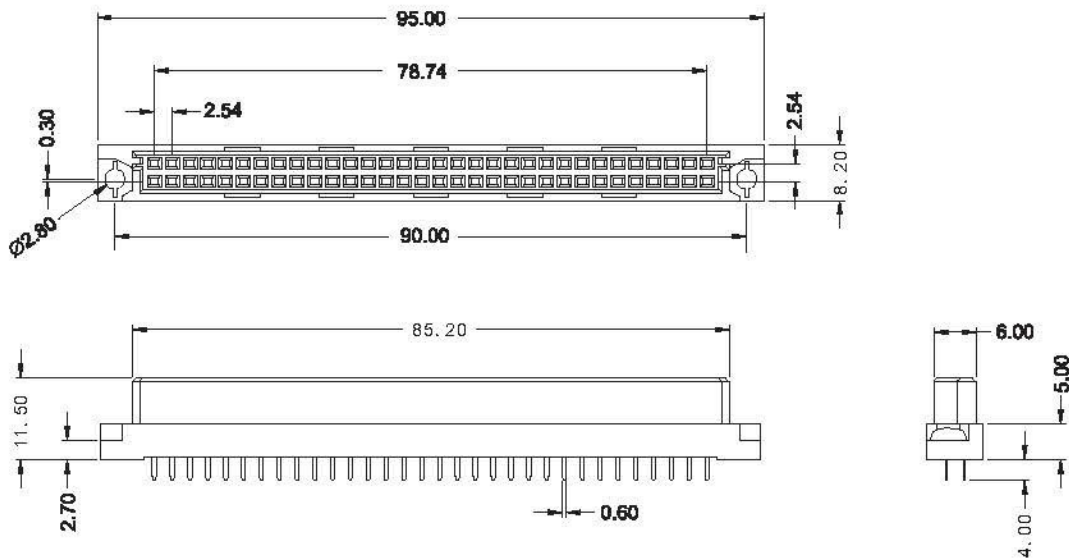
Contact Resistance: 30 mΩ Max. At DC 100mA
Insulator Resistance: 1000MΩ Min. at 500VDC
Withstand Voltage: 1000 VAC for 1 minute
Current Rating: 2 AMP
Voltage Rating: 250 VAC
Operating Temperature: -55°C~+105°C

Material:

Insulator: Glass-filled thermoplastic PBT UL94V-0
Contacts: Male-Brass / Female-Phosphor Bronze
Plating: full gold or selected gold in mating area.



Female-4.0mm Straight pin /2x32Pin



PCB Layout

Pitch	Position	Rows with Contacts	Contact Arrange	Part Number
2.54mm	64	a b		2264
	32	a -		2132
5.08mm	32	a b		2232
	16	a -		2116

ORDER INFORMATION

Product No.: KLS1-D2-2264-F S

Pos. No. _____ Tail Style: S-4.0mm Straight pin
Din41612 2x32Pin Two row Long Type _____ W1-13mm Straight pin
PartNumber: 2264 / 2132 / 2232 / 2116 _____ R-Right pin
Contact Type: M=Male F=Female