

Signal Segment		Power Segment			
Name	Type	Name	Type	Name	Type
S1	GND	P1	V33	P9	V5
S2	A+	P2	V33	P10	GND
S3	A-	P3	V33	P11	DAS/DSS
S4	GND	P4	GND	P12	GND
S5	B-	P5	GND	P13	V12
S6	B+	P6	GND	P14	V12
S7	GND	P7	V5	P15	V12
		P8	V5		

Part Number	Dim*A*
CSAT-M22VD30-HG	2.10mm
CSAT-M22VD30-HH	3.00mm

NOTES:

- Material:**
 Housing: LCP+50%G.F, UL 94V-0 Rated.
 Color: Black.
 Contact: Brass.
 Plating: Gold Plating over Nickel on Contact Area.
 Tin Plating on Solder Tail.
 Harpoon: Brass.
 Plating: Tin Plating over Nickel.

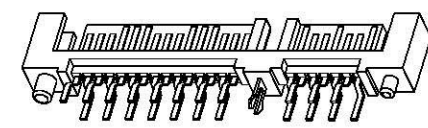
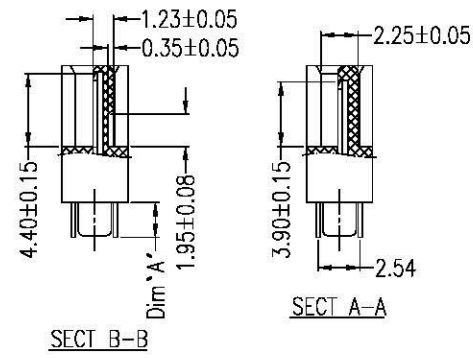
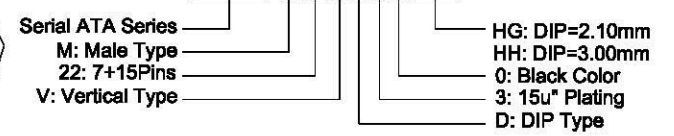
- Mechanical:**
 Insertion Force: 45N Max.
 Withdrawal Force: 10N Min.
 Durability: 500 Cycles

- Electrical Specification:**
 Operation Voltage: 100VAC Max.
 Current Rating: 1.5 Ampere per Contact.
 Contact Resistance: 30mΩ Max.
 Insulation Resistance: 1000MΩ Min.
 Dielectric Withstanding Voltage: 500 VAC.

- Environmental:**
 Operating Temperature: -55°C to +85°C

Part Number:

CSAT-M22VD30-HG



A	08/02/10	RELEASED FOR PRODUCTION	
REV	DATE	DESCRIPTION	
UNLESS OTHERWISE SPECIFIED, DIMENSIONS ARE IN MM. TOLERANCES ARE:		<p>www.allconnectors.com Tel.: 0049 711 7009503 70724 Filberstadt - Germany info@allconnectors.com Fax: 0049 711 7009504 Kette merstr. 25</p>	
DECIMALS	ANGLES		
X ± .38	± 3°		
.XX ± .25			
.XXX ± .20		DESCRIPTION	Serial ATA 7+15P Male, Vertical Type Double Row, DIP=2.10mm
DO NOT SCALE DRAWING	SHEET 1 OF 1	SCALE NONE	DWG. NO. CSAT-M22-0HG

