

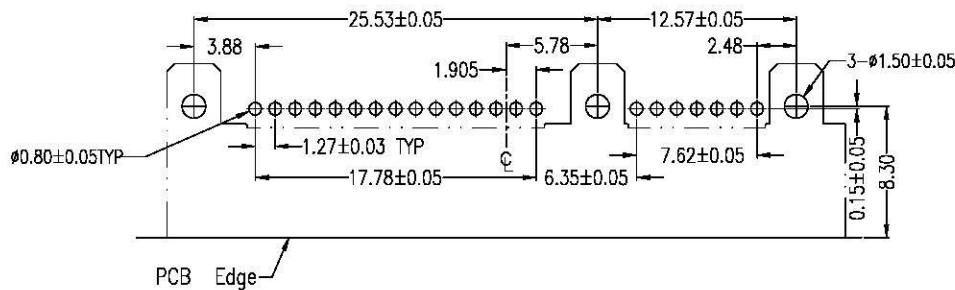
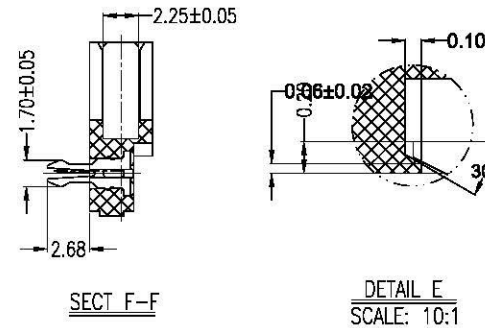
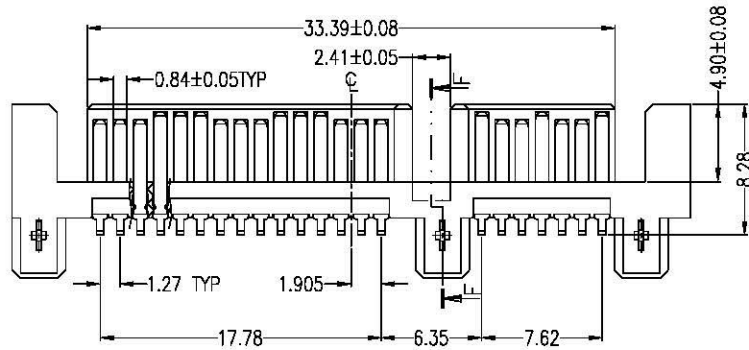
NOTES:

- Material:**
 Housing: LCP+50%G.F, UL 94V-0 Rated.
 Color: Black.
 Contact: Phosphor Bronze.
 Plating: Gold Plating over Nickel on Contact Area.
 Tin Plating on Solder Tail.
 Harpoon: Brass.
 Plating: Tin Plating over Nickel.

- Mechanical:**
 Insertion Force: 45N Max.
 Withdrawal Force: 10N Min.
 Durability: 500 Cycles

- Electrical Specification:**
 Operation Voltage: 100VAC Max.
 Current Rating: 1.5 Ampere per Contact.
 Contact Resistance: 30mΩ Max.
 Insulation Resistance: 1000MΩ Min.
 Dielectric Withstanding Voltage: 500 VAC.

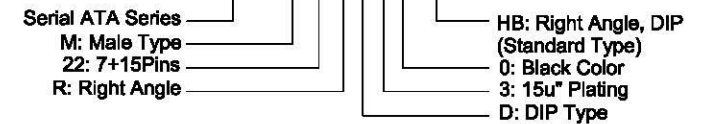
- Environmental:**
 Operating Temperature: -55°C to +85°C



P.C.B. Layout(T=1.6mm)
TOP VIEW

Part Number:

CSAT-M22RD30-HB



A	01/21/08	RELEASED FOR PRODUCTION	
REV	DATE	DESCRIPTION	
UNLESS OTHERWISE SPECIFIED, DIMENSIONS ARE IN MM. TOLERANCES ARE:		 www.allconnectors.de Tel.: 0049 711 7009503 70/91 Hilderstadt - Germany info@allconnectors.de Fax: 0049 711 7009504 Kettnerstr. 25	
DECIMALS	ANGLES		
X ± .38	± 3°		
.XX ± .25			
.XXX ± .20		DESCRIPTION	
DO NOT SCALE DRAWING		APPROVALS DRAWN Chris 01/21/08 CHECKED Cindy 01/21/08 APPV Jason 01/21/08	DWG. NO. CSAT-M22-0HB SCALE NONE SHEET 1 OF 1

**Serial ATA 7+15P Male, Right Angle
DIP, Standard Type**