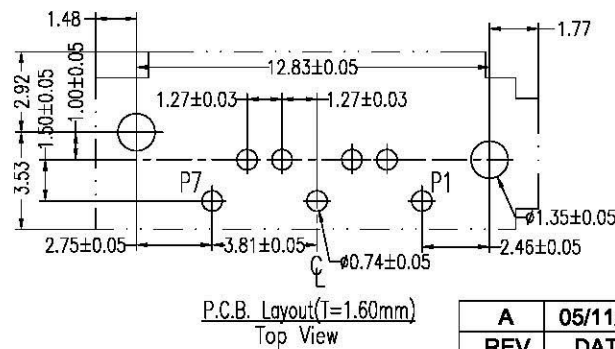
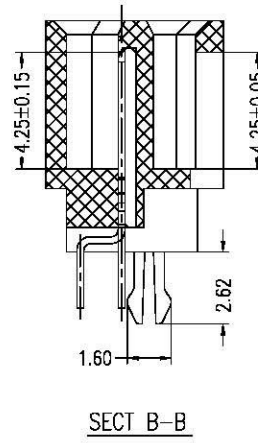
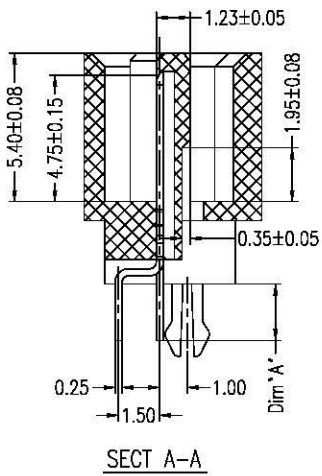


Unit: mm

Part Number	Dim "A"
CSAT-M07VDG0-B2	2.15~2.30
CSAT-M07VDG0-B3	2.80

NOTES:

- Material:**
 Housing: Nylon46, UL 94V-0 rated.
 Color: Black.
 Contact: Brass
 Plating: Gold Plating over Nickel on Contact Area.
 Tin Plating on Solder tail.
 Harpoon: Brass.
 Plating: Tin Plating over Nickel.
- Mechanical:**
 Insertion Force: 45N Max.
 Withdrawal Force: 10N Min.
 Durability: 500 Cycles
- Electrical Specification:**
 Current Rating: 1.5 Ampere per Contact.
 Contact Resistance: 30mΩ Max.
 Insulation Resistance: 1000MΩ Min.
 Dielectric Withstanding Voltage: 500 VAC.
- Environmental:**
 Operating Temperature: -55°C to +85°C



Part Number:

CSAT-M07VDG0-B2

- Serial ATA Series
 M: Male Type
 07: 7Pins
 V: Vertical Type
 D: DIP Type
- 2: Pin Length 2.15~2.30mm
 3: Pin Length 3.30mm
 B: Straight DIP Type B
 0: Black Color
 G: Gold Flash
 3: 15u" Plating

A	05/11/09	RELEASED FOR PRODUCTION	
REV	DATE	DESCRIPTION	
UNLESS OTHERWISE SPECIFIED DIMENSIONS ARE IN MM TOLERANCES ARE:		 www.allconnectors.de Tel.: 0049 711 7000503 70794 Hilderstadt - Germany info@allconnectors.de Fax: 0049 711 7000504 Kettenerstr. 25	
DECIMALS	ANGLES		
X ± .38	± 3°		
.XX ± .25			
.XXX ± .20		DESCRIPTION	Serial ATA, 7P, Male, Shrouded, Vertical Type DIP Type B 2.15~2.30mm, Gold Flash, Black Color
DO NOT SCALE DRAWING	SHEET 1 OF 1	SCALE NONE	DWG. NO. CSAT-M07-0G3