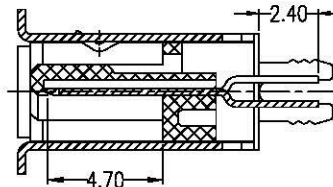
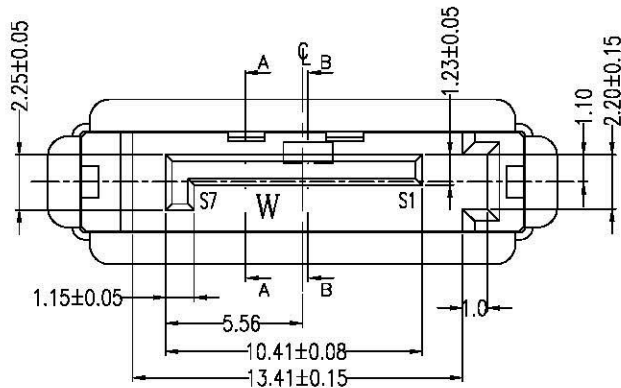
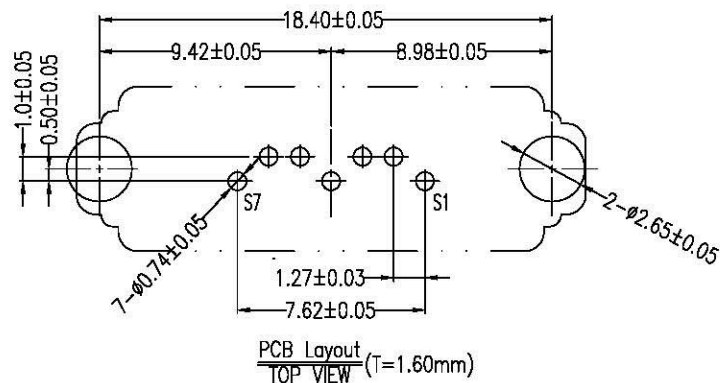


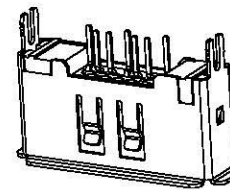
SECT A-A
Rotate



SECT B-B



Signal Segment	
Name	Type
S1	GND
S2	A+
S3	A-
S4	GND
S5	B-
S6	B+
S7	GND



Product 3D

NOTES:

1. Material:

Housing: Nylon46, UL 94V-0 rated.
Color: Black.
Contact: Brass.
Plating: Gold Plating over Nickel on Contact Area.
Tin Plating on Solder Tail.
Shield: Brass.
Plating: Nickel Plating.

2. Mechanical:

Insertion Force: 45N Max.
Withdrawal Force: 10N Min.
Durability: 500 Cycles

3. Electrical Specification:

Operation Voltage: 100VAC Max.
Current Rating: 1.5 Ampere per Contact.
Contact Resistance: 30mΩ Max.
Insulation Resistance: 1000MΩ Min.
Dielectric Withstanding Voltage: 500 VAC.

4. Environmental:

Operating Temperature: -55°C to +125°C

Part Number:

CSAT-M07VD30-AK

Serial ATA Series
F: Female Type
22: 7+15Pins
R: Right Angle

K: With Shielding
A: A Type Harpoon
0: Black Color
3: 15u" Plating
S: SMT Type

A	01/09/08	RELEASED FOR PRODUCTION		DESCRIPTION	
REV	DATE				
UNLESS OTHERWISE SPECIFIED, DIMENSIONS ARE IN MM TOLERANCES ARE:		CAD GENERATED DRAWING, DO NOT MANUALLY UPDATE			
DECIMALS ANGLES		APPROVALS DATE			
X ± .38	± 3°	DRAWN	Chris	01/09/08	www.allconnectors.de TEL: 0049 711 7009503 70794 Ellersstadt - Germany info@allconnectors.de Fax: 0049 711 7009504 Kettnerstr. 25
.XX ± .25		CHECKED	Cindy	01/09/08	
.XXX ± .20		APPV	Jason	01/09/08	
DO NOT SCALE DRAWING		SHEET	1 OF 1	SCALE	NONE
		DWG. NO.	CSAT-M07-AK0		REV. A