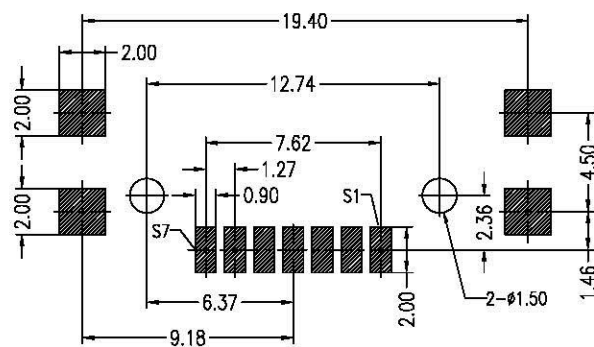
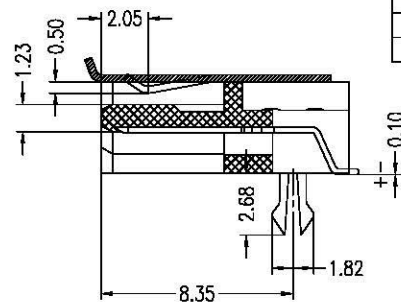


Signal Segment	
Name	Type
S1	GND
S2	A+
S3	A-
S4	GND
S5	B-
S6	B+
S7	GND



P.C.B. Layout



SECT A-A

NOTES:

1. Material:

- Housing: LCP+50%G.F, UL 94V-0 Rated.
- Color: Black.
- Contact: Phosphor Bronze.
- Plating: Gold Plating over Nickel on Contact Area.
Tin Plating on Solder Tail.
- Shield: Brass.
- Plating: Nickel Plating.
- Harpoon: Brass.
- Plating: Tin Plating over Nickel.

2. Mechanical:

- Insertion Force: 45N Max.
- Withdrawal Force: 10N Min.
- Durability: 500 Cycles

3. Electrical Specification:

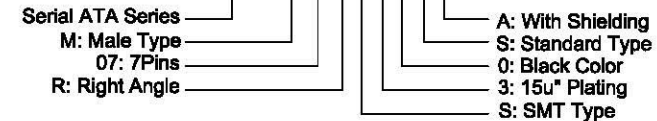
- Operation Voltage: 100VAC Max.
- Current Rating: 1.5 Ampere per Contact.
- Contact Resistance: 30mΩ Max.
- Insulation Resistance: 1000MΩ Min.
- Dielectric Withstanding Voltage: 500 VAC.

4. Environmental:

- Operating Temperature: -55°C to +125°C

Part Number:

CSAT-M07RS30-SA



A		01/16/06		RELEASED FOR PRODUCTION	
REV	DATE	DESCRIPTION			
UNLESS OTHERWISE SPECIFIED, DIMENSIONS ARE IN MM. TOLERANCES ARE:		CAD GENERATED DRAWING, DO NOT MANUALLY UPDATE			
DECIMALS	ANGLES	APPROVALS		DATE	
X ± .38	± 3°	DRAWN	Chris	01/16/06	
.XX ± .25		CHECKED	Cindy	01/16/06	
.XXX ± .20		APPV	Jason	01/16/06	
DO NOT SCALE DRAWING		SHEET	1 OF 1	SCALE	NONE
		DWG. NO.	CSAT-M07-MS4		
		www.allconnectors.de		info@allconnectors.de	
		Tel.: 0049 711 7009033		Fax: 0049 711 7009041	
		20754 Ellbrunn, Germany		Kollernheim, 25	
		DESCRIPTION			
		Serial ATA 7P Male, Right Angle, SMD, Standard Type, With Shielding			
		REV.		A	