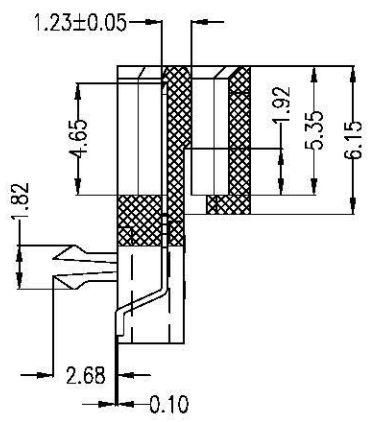
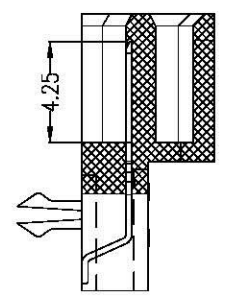


P.C.B. Layout



SECT A-A



SECT B-B

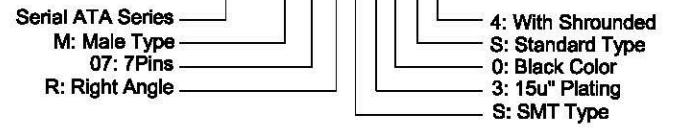
Signal Segment	
Name	Type
S1	GND
S2	A+
S3	A-
S4	GND
S5	B-
S6	B+
S7	GND

**NOTES:**

- Material:**  
 Housing: LCP+50%G.F, UL 94V-0 Rated.  
 Color: Black.  
 Contact: Phosphor Bronze.  
 Plating: Gold Plating over Nickel on Contact Area.  
 Tin Plating on Solder Tail.  
 Harpoon: Brass.  
 Plating: Tin Plating over Nickel.
- Mechanical:**  
 Insertion Force: 45N Max.  
 Withdrawal Force: 10N Min.  
 Durability: 500 Cycles
- Electrical Specification:**  
 Operation Voltage: 100VAC Max.  
 Current Rating: 1.5 Ampere per Contact.  
 Contact Resistance: 30mΩ Max.  
 Insulation Resistance: 1000MΩ Min.  
 Dielectric Withstanding Voltage: 500 VAC.
- Environmental:**  
 Operating Temperature: -55°C to +125°C

**Part Number:**

**CSAT-M07RS30-S4**



A		05/31/05		RELEASED FOR PRODUCTION	
REV		DATE		DESCRIPTION	
UNLESS OTHERWISE SPECIFIED, DIMENSIONS ARE IN MM TOLERANCES ARE:					
DECIMALS		ANGLES			
X ± .38		± 3°		www.allconnectors.de	
.XX ± .25				Tel.: 0049 711 7009508	
.XXX ± .20				info@allconnectors.de	
DO NOT SCALE DRAWING		SHEET 1 OF 1		Fax: 0049 711 7005001	
		SCALE NONE		Kollmannstr. 25	
		DWG. NO. CSAT-M07-0S4		DESCRIPTION	
				Serial ATA 7P Male, Right Angle, SMT, Standard Type, With Shrouded	
				REV. A	