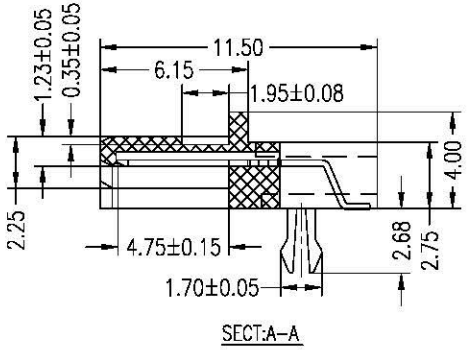
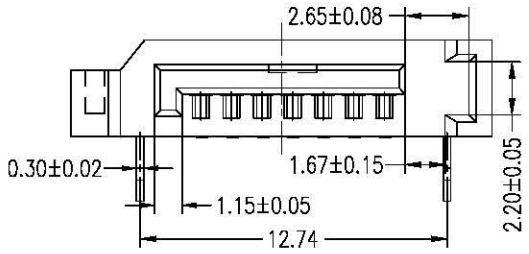


Signal Segment	
Name	Type
S1	GND
S2	A+
S3	A-
S4	GND
S5	B-
S6	B+
S7	GND

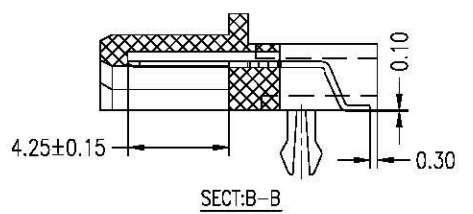
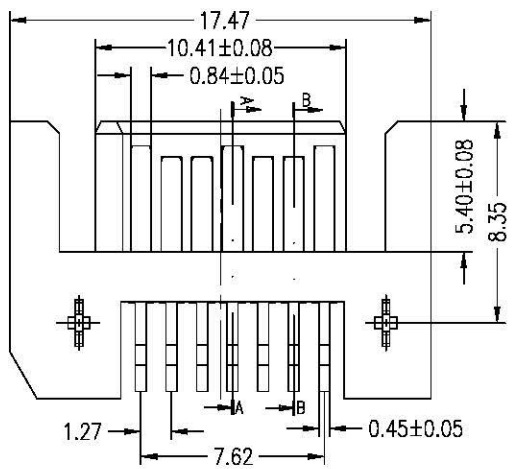
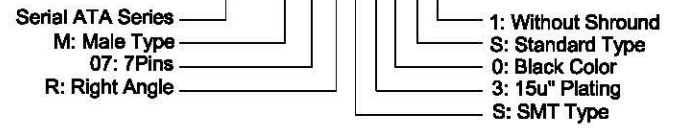
**NOTES:**

- Material:**  
 Housing: LCP+50%G.F, UL 94V-0 Rated.  
 Color: Black.  
 Contact: Phosphor Bronze.  
 Plating: Gold Plating over Nickel on Contact Area.  
 Tin Plating on Solder Tail.  
 Harpoon: Brass.  
 Plating: Tin Plating over Nickel.
- Mechanical:**  
 Insertion Force: 45N Max.  
 Withdrawal Force: 10N Min.  
 Durability: 500 Cycles
- Electrical Specification:**  
 Operation Voltage: 100VAC Max.  
 Current Rating: 1.5 Ampere per Contact.  
 Contact Resistance: 30mΩ Max.  
 Insulation Resistance: 1000MΩ Min.  
 Dielectric Withstanding Voltage: 500 VAC.
- Environmental:**  
 Operating Temperature: -55°C to +125°C



**Part Number:**

**CSAT-M07RS30-S1**



A	02/22/08	RELEASED FOR PRODUCTION	
REV	DATE	DESCRIPTION	
UNLESS OTHERWISE SPECIFIED, DIMENSIONS ARE IN MM. TOLERANCES ARE:		 凱聯科技股份有限公司 Conn-Link Technology Inc.	
DECIMALS	ANGLES		
X ± .38	± 3°		
.XX ± .25			
.XXX ± .20		APPROVALS	DATE
DO NOT SCALE DRAWING	SHEET 1 OF 1	DRAWN Chris	02/22/08
		CHECKED Cindy	02/22/08
		APPV Jason	02/22/08
		SCALE NONE	DWG. NO. CSAT-M07-0S1
			REV. A