

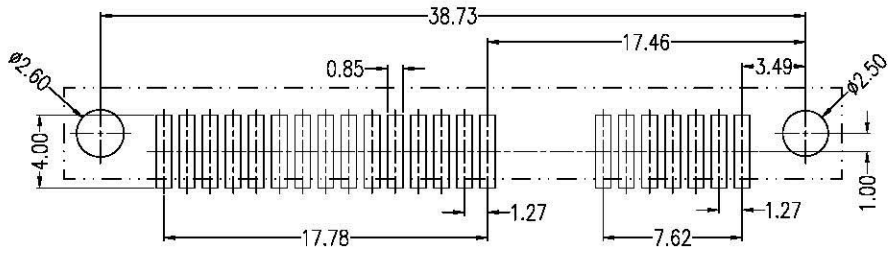
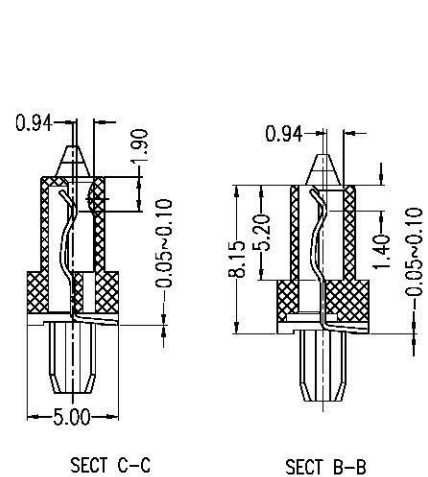
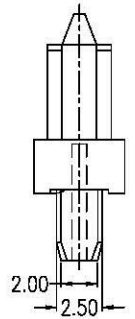
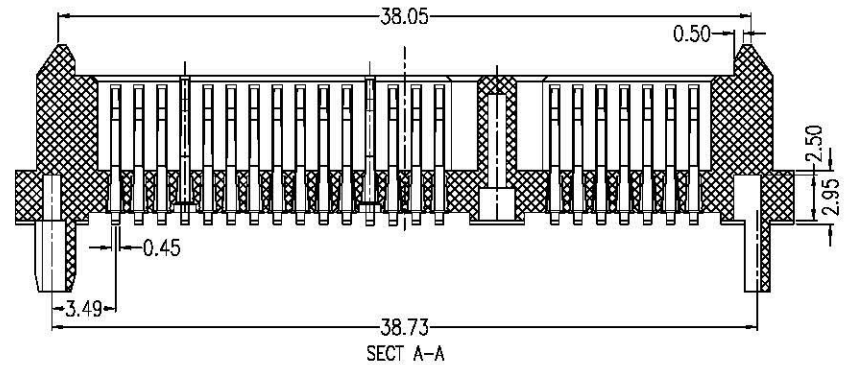
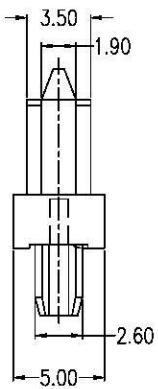
NOTES:

- Material:**
 Housing: LCP+50%G.F, UL 94V-0 Rated.
 Color: Black.
 Contact: Phosphor Bronze.
 Plating: Gold Plating over Nickel on Contact Area.
 Tin Plating on Solder Tail.

- Mechanical:**
 Insertion Force: 45N Max.
 Withdrawal Force: 10N Min.
 Durability: 500 Cycles

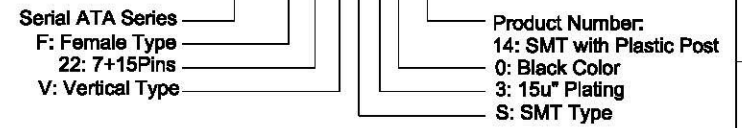
- Electrical Specification:**
 Operation Voltage: 100VAC Max.
 Current Rating: 1.5 Ampere per Contact.
 Contact Resistance: 30mΩ Max.
 Insulation Resistance: 1000MΩ Min.
 Dielectric Withstanding Voltage: 500 VAC.

- Environmental:**
 Operating Temperature: -55°C to +85°C



Part Number:

CSAT-F22VS30-14



A		09/08/06		RELEASED FOR PRODUCTION	
REV	DATE	DESCRIPTION			
UNLESS OTHERWISE SPECIFIED, DIMENSIONS ARE IN MM. TOLERANCES ARE:					
DECIMALS	ANGLES				
X ± .38	± 3°	APPROVALS	DATE	www.allconnectors.de	
.XX ± .25		DRAWN	Chris	09/08/06	info@allconnectors.de
.XXX ± .20		CHECKED	Cindy	09/08/06	Fax: 0049 711 2096049
DO NOT SCALE DRAWING		APPV	Jason	09/08/06	70794 Filderstadt, Germany
		SHEET	1 OF 1	SCALE	NONE
		DWG. NO.	CSAT-F22-S04		REV. A