

Pin NO.	Signal Name	Pin NO.	Power Name	Pin NO.	Power Name
S1	GND	P1	V33	P9	V5
S2	A+	P2	V33	P10	GND
S3	A-	P3	V33	P11	DAS/DSS
S4	GND	P4	GND	P12	GND
S5	B-	P5	GND	P13	V12
S6	B+	P6	GND	P14	V12
S7	GND	P7	V5	P15	V12
		P8	V5		

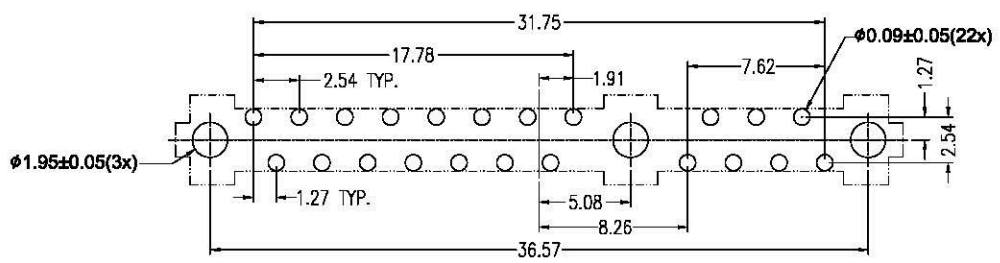
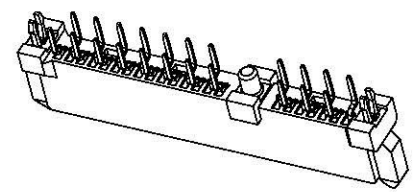
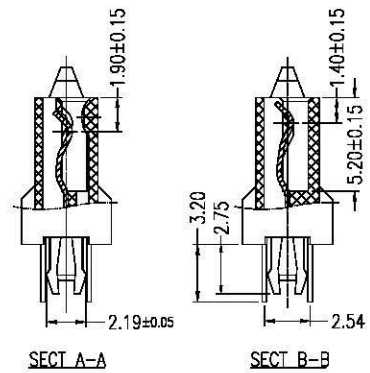
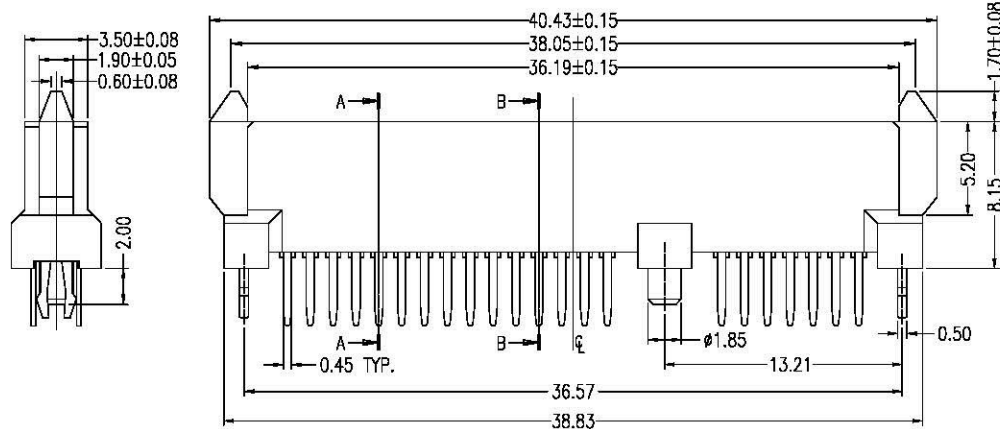
**NOTES:**

- Material:**  
 Housing: LCP+50%G.F, UL 94V-0 rated.  
 Color: Black.  
 Contact: Phosphor Bronze.  
 Plating: Gold Plating over Nickel on Contact Area.  
 Tin Plating on Solder tail.  
 Harpoon: Brass.  
 Plating: Tin Plating over Nickel.

- Mechanical:**  
 Insertion Force: 45N Max.  
 Withdrawal Force: 10N Min.  
 Durability: 500 cycles

- Electrical Specification:**  
 Current Rating: 1.5 Ampere per Contact.  
 Contact Resistance: 30mΩ Max.  
 Insulation Resistance: 1000MΩ Min.  
 Dielectric Withstanding Voltage: 500 VAC.

- Environmental:**  
 Operating Temperature: -55°C to +85°C



P.C.B LAYOUT(T=1.60mm)  
COMPONENT SIDE

**CSAT-F22VD3 0 -11**

- Serial ATA Series  
 F: Female Type  
 22: 7+15Pins  
 V: Vertical
- 11: Two Row DIP(H=9.85)  
 0: Black Color  
 3: 15u" Plating  
 D: DIP Type

A	01/21/11	RELEASED FOR PRODUCTION	
REV	DATE	DESCRIPTION	
UNLESS OTHERWISE SPECIFIED DIMENSIONS ARE IN MM TOLERANCES ARE:		 www.allconnectors.de info@allconnectors.de Tel.: 0049 711 7000503 Fax: 0049 711 7000504 40143 Kilderstadt Germany Kettelerstr. 24	
DECIMALS	ANGLES		
X ± .38	± 3°		
.XX ± .25			
.XXX ± .20		DESCRIPTION	Serial ATA 7+15P Female, Vertical DIP Two Row Type, H:9.85mm
DO NOT SCALE DRAWING	SHEET 1 OF 1	SCALE NONE	DWG. NO. CSAT-F22-S01