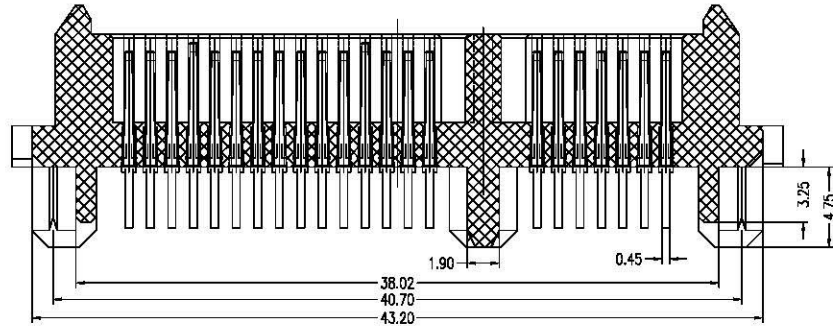
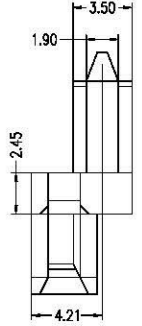
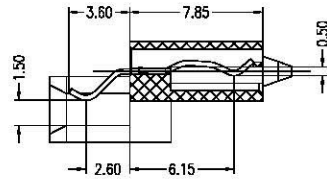


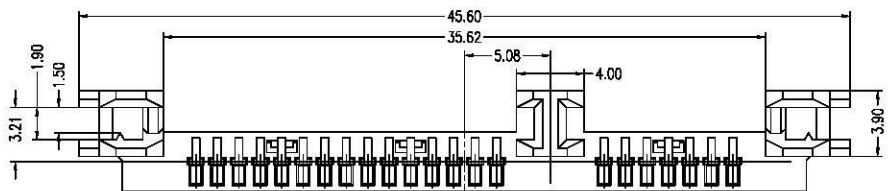
SECT B-B



SECT A-A

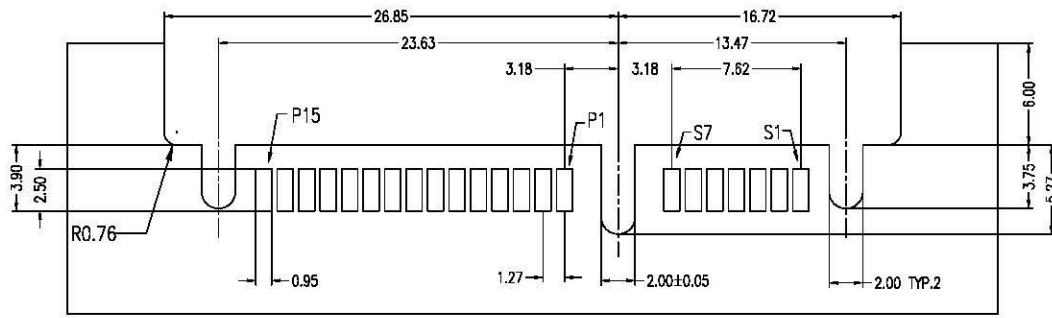


SECT C-C



Signal Segment	
Name	Type
S1	GND
S2	A+
S3	A-
S4	GND
S5	B-
S6	B+
S7	GND

Power Segment	
Name	Type
P1	V3.3
P2	V3.3
P3	V3.3
P4	GND
P5	GND
P6	GND
P7	V5
P8	V5
P9	V5
P10	GND
P11	DAS/DSS
P12	GND
P13	V12
P14	V12
P15	V12



PCB(T=1.6mm)

**NOTES:**

**1. Material:**  
 Housing: LCP+50%G.F, UL 94V-0 rated.  
 Color: Black.  
 Contact: Phosphor Bronze.  
 Plating: Gold Plating over Nickel on Contact Area.  
 Tin Plating on Solder tail.

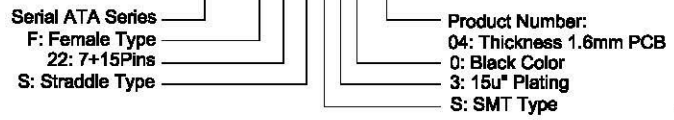
**2. Mechanical:**  
 Insertion Force: 45N Max.  
 Withdrawal Force: 10N Min.  
 Durability: 500 cycles

**3. Electrical Specification:**  
 Operation Voltage: 100VAC Max.  
 Current Rating: 1.5 Ampere per Contact.  
 Contact Resistance: 30mΩ Max.  
 Insulation Resistance: 1000MΩ Min.  
 Dielectric Withstanding Voltage: 500 VAC.

**4. Environmental:**  
 Operating Temperature: -55°C to +85°C

**Part Number:**

**CSAT-F22SS30-04**



<b>A</b>	<b>04/07/05</b>	<b>RELEASED FOR PRODUCTION</b>	
<b>REV</b>	<b>DATE</b>	<b>DESCRIPTION</b>	
UNLESS OTHERWISE SPECIFIED, DIMENSIONS ARE IN MM. TOLERANCES ARE:		<p>www.allconnectors.de        Tel.: 0049 711 7009503        0/01 Hilderstadt - Germany</p> <p>info@allconnectors.de        Fax: 0049 711 7009504        Kettnerstr. 25</p>	
DECIMALS	ANGLES		
X ± .38	± 3°		
.XX ± .25			
.XXX ± .20		<b>DESCRIPTION</b> Serial ATA 7+15P, Female, Straddle Type SMT, for Thickness 1.6mm PCB	
DO NOT SCALE DRAWING	SHEET 1 OF 1	SCALE NONE	DWG. NO. CSAT-F22-R06