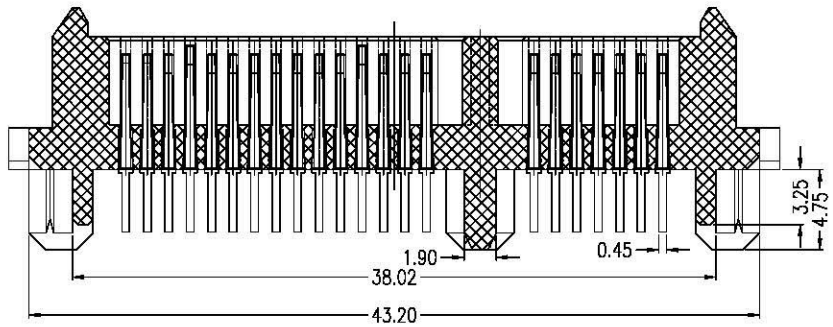
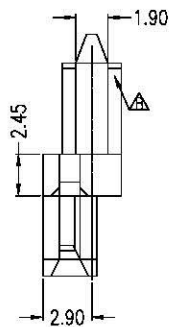
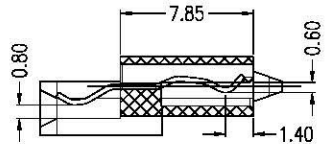


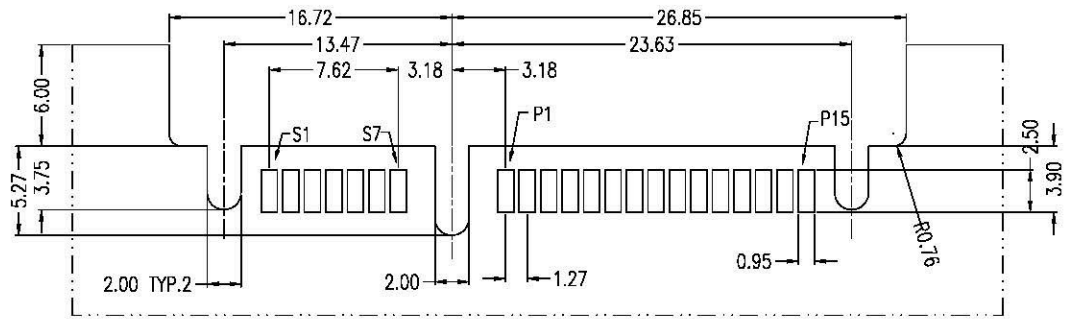
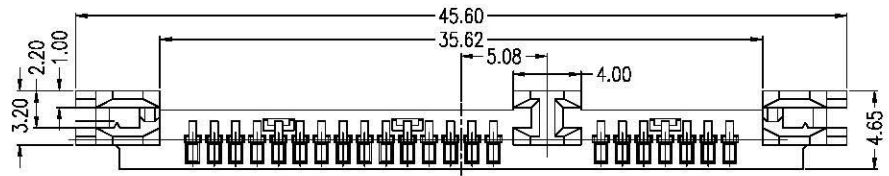
SECT B-B



SECT A-A



SECT C-C



Straddle P.C.B. Layout(T=1.0mm)

Signal Segment	
Name	Type
S1	GND
S2	A+
S3	A-
S4	GND
S5	B-
S6	B+
S7	GND

Power Segment	
Name	Type
P1	V33
P2	V33
P3	V33
P4	GND
P5	GND
P6	GND
P7	V5
P8	V5
P9	V5
P10	GND
P11	DAS/DSS
P12	GND
P13	V12
P14	V12
P15	V12

NOTES:

1. Material:
 Housing: LCP+50%G.F, UL 94V-0 rated.
 Color: Black.
 Contact: Phosphor Bronze.
 Plating: Gold Plating over Nickel on Contact Area.
 Tin Plating on Solder tail.

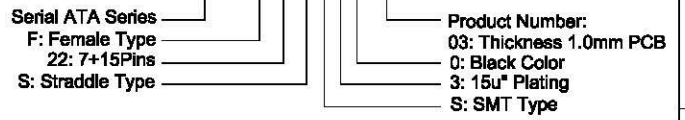
2. Mechanical:
 Insertion Force: 45N Max.
 Withdrawal Force: 10N Min.
 Durability: 500 cycles

3. Electrical Specification:
 Operation Voltage: 100VAC Max.
 Current Rating: 1.5 Ampere per Contact.
 Contact Resistance: 30mΩ Max.
 Insulation Resistance: 1000MΩ Min.
 Dielectric Withstanding Voltage: 500 VAC.

4. Environmental:
 Operating Temperature: -55°C to +85°C

Part Number:

CSAT-F22SS30-03



A		08/25/05		RELEASED FOR PRODUCTION	
REV		DATE		DESCRIPTION	
UNLESS OTHERWISE SPECIFIED, DIMENSIONS ARE IN MM. TOLERANCES ARE:				 www.allconnectors.de Tel.: 0049 711 7009503 70794 Filderstadt - Germany info@allconnectors.de Fax: 0049 711 7009504 Kette meistr. 25	
DECIMALS		ANGLES			
X ± .38		± 3°			
.XX ± .25					
.XXX ± .20				DESCRIPTION Serial ATA 7+15P, Female, Straddle Type SMT, for Thickness 1.0mm PCB	
DO NOT SCALE DRAWING				SHEET 1 OF 1 SCALE NONE DWG. NO. CSAT-F22-R0L REV. A	