

Signal Segment	
Name	Type
S1	GND
S2	A+
S3	A-
S4	GND
S5	B-
S6	B+
S7	GND

Power Segment			
Name	Type	Name	Type
P1	V33	P9	V5
P2	V33	P10	GND
P3	V33	P11	DAS/DSS
P4	GND	P12	GND
P5	GND	P13	V12
P6	GND	P14	V12
P7	V5	P15	V12
P8	V5		

NOTES:

1. Material:

Housing: LCP+50%G.F, UL 94V-0 Rated.
 Color: Black.
 Contact: Phosphor Bronze.
 Plating: Gold Plating over Nickel on Contact Area.
 Tin Plating on Solder Tail.
 Harpoon: Brass.
 Plating: Tin Plating over Nickel.

2. Mechanical:

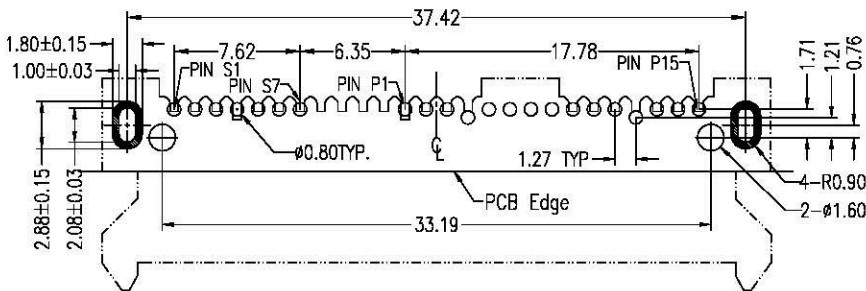
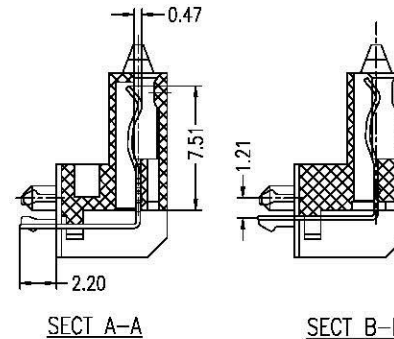
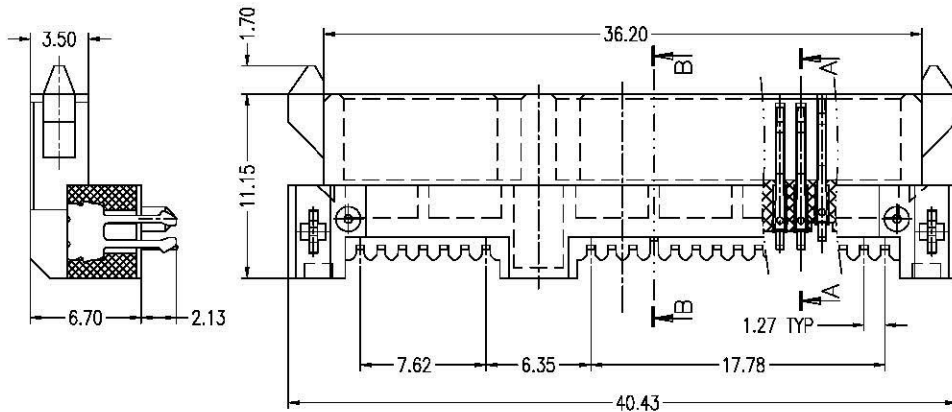
Insertion Force: 45N Max.
 Withdrawal Force: 10N Min.
 Durability: 500 Cycles

3. Electrical Specification:

Operation Voltage: 100VAC Max.
 Current Rating: 1.5 Ampere per Contact.
 Contact Resistance: 30mΩ Max.
 Insulation Resistance: 1000MΩ Min.
 Dielectric Withstanding Voltage: 500 VAC.

4. Environmental:

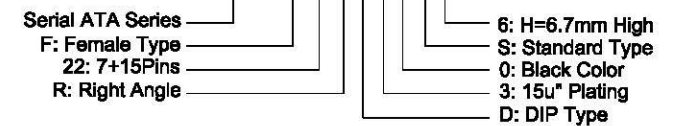
Operating Temperature: -55°C to +85°C



P.C.B LAYOUT (T=1.2)

Part Number:

CSAT-F22RD30-S6



A	03/21/07	RELEASED FOR PRODUCTION		DESCRIPTION					
REV	DATE	UNLESS OTHERWISE SPECIFIED, DIMENSIONS ARE IN MM. TOLERANCES ARE:							
		CAD GENERATED DRAWING, DO NOT MANUALLY UPDATE							
		APPROVALS	DATE			www.allconnectors.de Tcl.: 0049 711 7009503 70754 Filberstast Germany			
DECIMALS	ANGLES	DRAWN	Chris	03/21/07	Info@allconnectors.de Fax: 0049 711 7009504 Kottmerstr. 25				
X ± .38	± 3°	CHECKED	Chdy	03/21/07	Serial ATA 7+15P Female, Right Angle Standard Type, DIP, H:6.7mm				
.XX ± .25		APPV	Jason	03/21/07					
DO NOT SCALE DRAWING		SHEET	1 OF 1	SCALE	NONE	DWG. NO.	CSAT-F22-B05	REV.	A