

Signal Segment	
Name	Type
S1	GND
S2	A+
S3	A-
S4	GND
S5	B-
S6	B+
S7	GND

Power Segment			
Name	Type	Name	Type
P1	V33	P9	V5
P2	V33	P10	GND
P3	V33	P11	DAS/DSS
P4	GND	P12	GND
P5	GND	P13	V12
P6	GND	P14	V12
P7	V5	P15	V12
P8	V5		

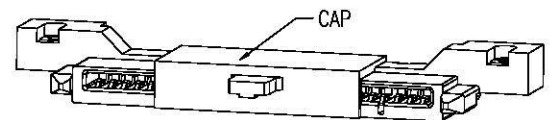
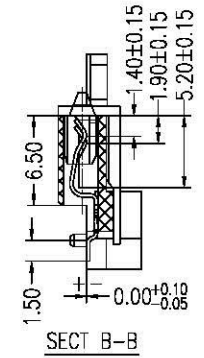
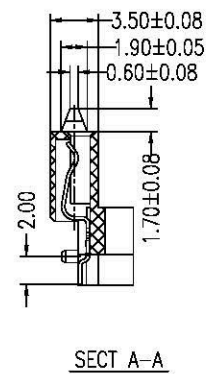
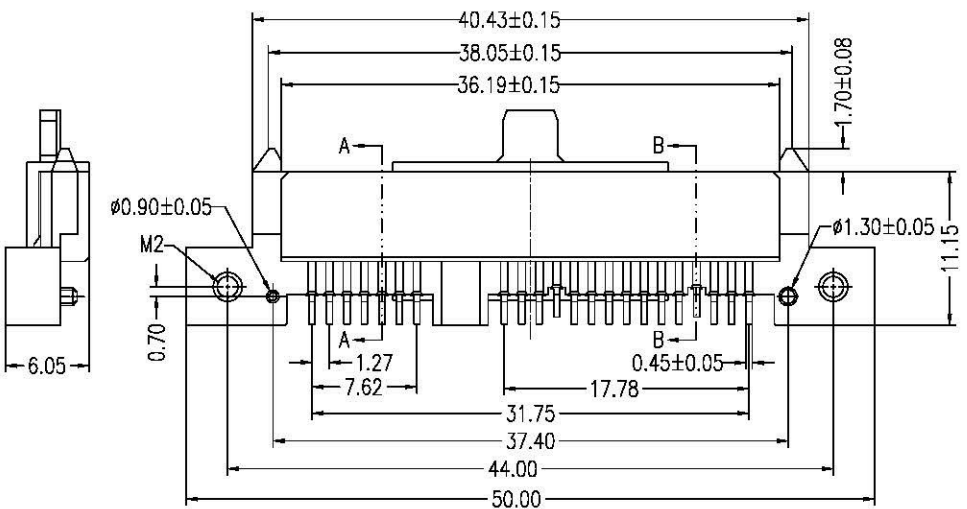
NOTES:

- Material:**
Housing: LCP+50%G.F, UL 94V-0 Rated.
Color: Black.
Contact: Phosphor Bronze.
Plating: Gold Plating over Nickel on Contact Area.
Tin Plating on Solder Tail.
Screw: Fe Plating Over Zn.

- Mechanical:**
Insertion Force: 45N Max.
Withdrawal Force: 10N Min.
Durability: 500 Cycles

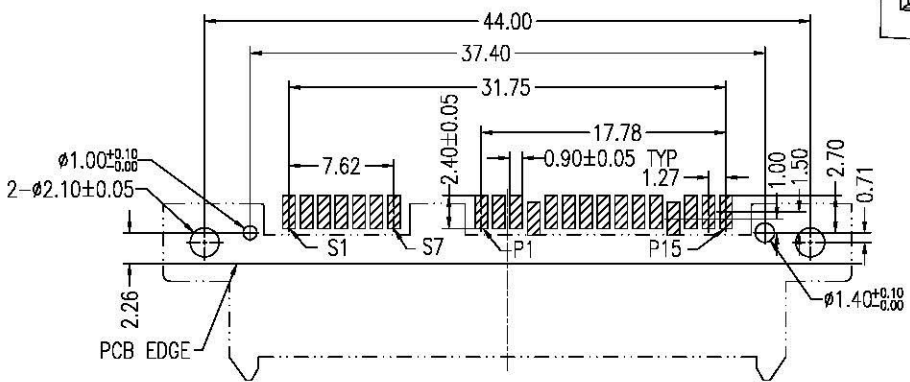
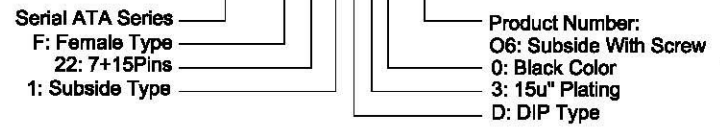
- Electrical Specification:**
Operation Voltage: 100VAC Max.
Current Rating: 1.5 Ampere per Contact.
Contact Resistance: 30mΩ Max.
Insulation Resistance: 1000MΩ Min.
Dielectric Withstanding Voltage: 500 VAC.

- Environmental:**
Operating Temperature: -55°C to + 125°C



Part Number:

CSAT-F221S30-O6



P.C.B LAYOUT TOP VIEW (T=1.20mm)

A	09/14/09	RELEASED FOR PRODUCTION		DESCRIPTION	
REV	DATE	CAD GENERATED DRAWING, DO NOT MANUALLY UPDATE			
UNLESS OTHERWISE SPECIFIED, DIMENSIONS ARE IN MM. TOLERANCES ARE:		APPROVALS		DATE	
DECIMALS	ANGLES	DRAWN	Chris	09/14/09	
X ± .38	± 3°	CHECKED	Chdy	09/14/09	
.XX ± .25		APPV	Jason	09/14/09	
.XXX ± .20		SHEET 1 OF 1		SCALE NONE	DWG. NO. CSAT-F22-006
DO NOT SCALE DRAWING		SHEET 1 OF 1		SCALE NONE	REV. A



www.allconnectors.de
Tel.: 0049 711 700503
70704 Nilderstadt - Germany
info@allconnectors.de
Fax: 0049 711 700504
Kettnerstr. 25

DESCRIPTION: Serial ATA 7+15P Female, Subside, SMT Standard Type, With Screw