

Pin Number	Signal Name
S1	GND
S2	A+
S3	A-
S4	GND
S5	B-
S6	B+
S7	GND

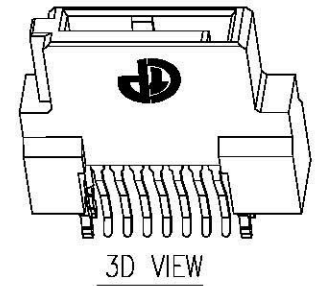
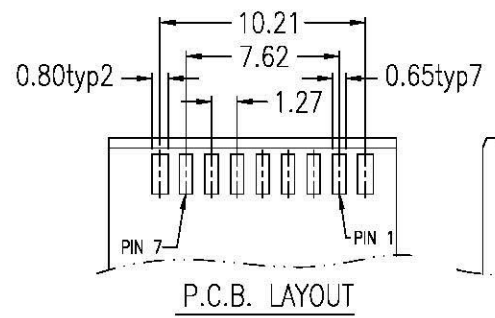
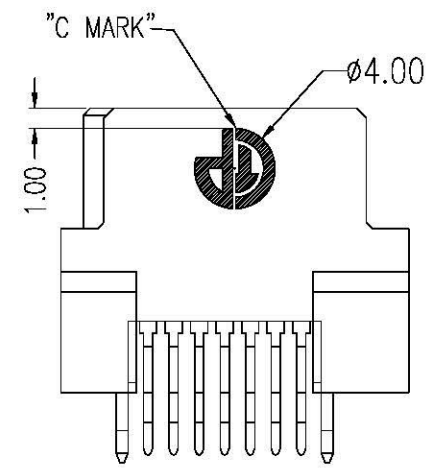
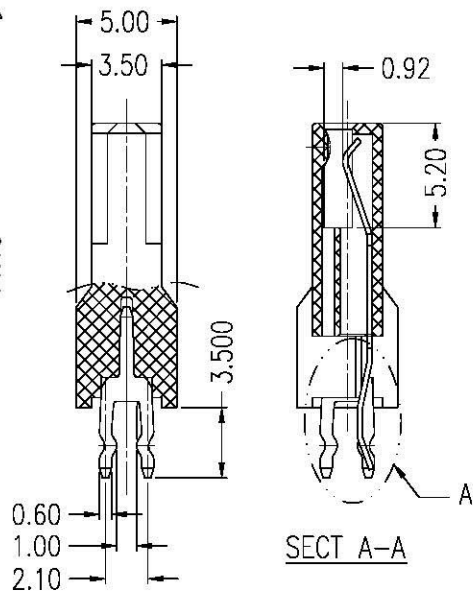
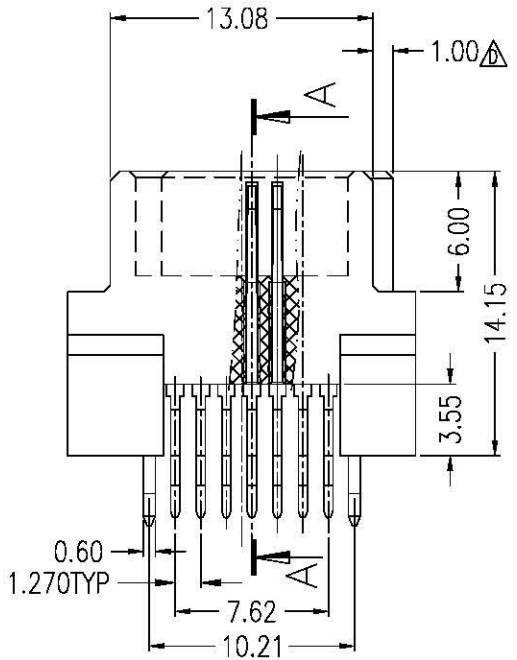
**NOTES:**

- Material:**  
 Housing: LCP+50%G.F, UL 94V-0 Rated.  
 Color: Black.  
 Contact: Phosphor Bronze.  
 Plating: Gold Plating over Nickel on Contact Area.  
 Tin Plating on Solder Tail.  
 Harpoon: Brass.  
 Plating: Nickel Plating.

- Mechanical:**  
 Insertion Force: 45N Max.  
 Withdrawal Force: 10N Min.  
 Durability: 500 Cycles

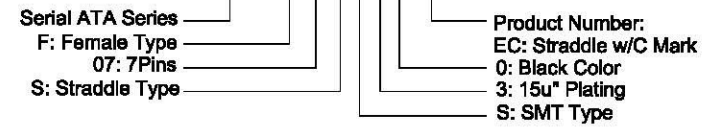
- Electrical Specification:**  
 Operation Voltage: 100VAC Max.  
 Current Rating: 1.5 Ampere per Contact.  
 Contact Resistance: 30mΩ Max.  
 Insulation Resistance: 1000MΩ Min.  
 Dielectric Withstanding Voltage: 500 VAC.

- Environmental:**  
 Operating Temperature: -55°C to +85°C



**Part Number:**

**CSAT-F07SS30-EC**



REV	DATE	DESCRIPTION
A	07/11/07	RELEASED FOR PRODUCTION
UNLESS OTHERWISE SPECIFIED, DIMENSIONS ARE IN MM. TOLERANCES ARE:		
DECIMALS	ANGLES	
X ± .38	± 3°	www.allconnectors.de
.XX ± .25		info@allconnectors.de
.XXX ± .20		TEL: 0049 711 7009303
		70751 Filberstadt - Germany
		Fax: 0049 711 7009304
		Kettnerstr. 25
DO NOT SCALE DRAWING		DESCRIPTION: <b>Serial ATA 7P, Female, Straddle Type, SMT, 15u" Plating, Black Color</b>
SHEET	SCALE	DWG. NO.
1 OF 1	NONE	<b>CSAT-F07-E4C</b>
		REV. A